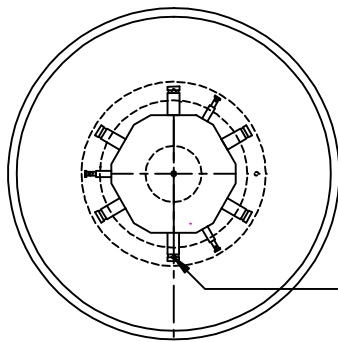
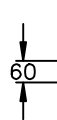


Access Door
 28mm Diameter x 60mm Long Pipe For Cold Water Connection
 28mm Diameter x 60mm Long Pipe For Hot Water Connection
 Top Entry (CWTT) Connection Details
 (Viewed from Above)



4 x Internal Floor Fixing Holes

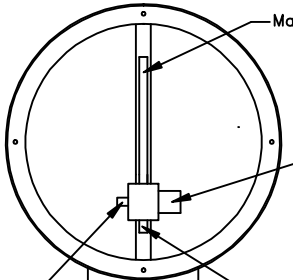
150 Diameter



CWTT Ceiling Mounting Collar

CWTT Top Inlet Column (Up to 1500mm As Required)

Bottom Entry (CWTB) Connection Details
 (Viewed from Below)



28mm Compression Cold Water Connection
 Access Door
 28mm Compression Hot Water Connection

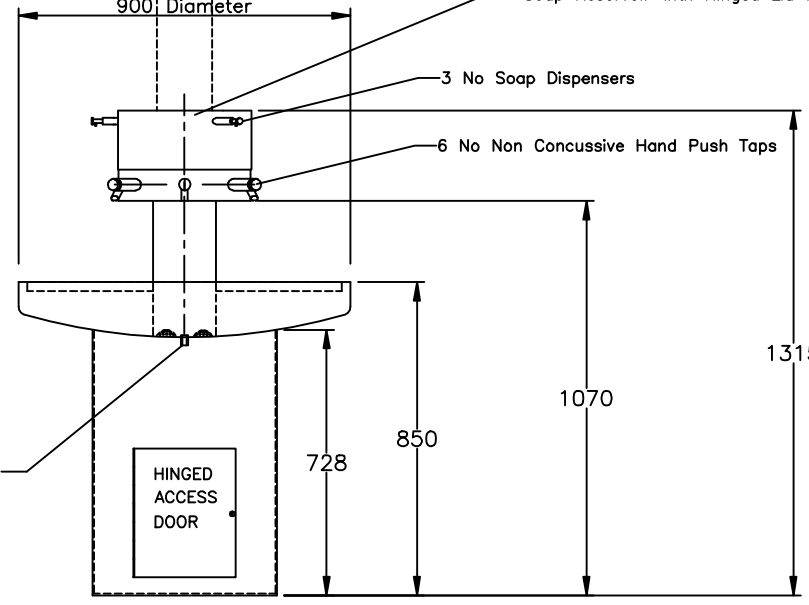
Manifold
 Mixing Valve

900 Diameter

Soap Reservoir with Hinged Lid for Filling

3 No Soap Dispensers

6 No Non Concussive Hand Push Taps



1315

1070

850

728

500 Diameter

1 1/2" BSP Waste Connection

HINGED ACCESS DOOR