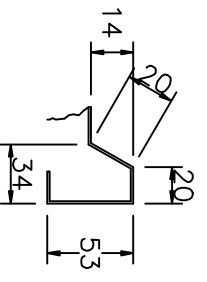
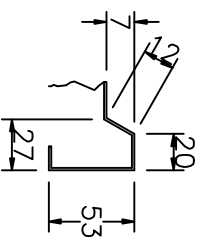


28mm Diameter Tapholes  
 Minimum Taplanding

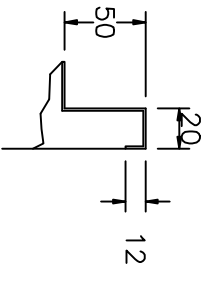
Non Standard Sizes By Request



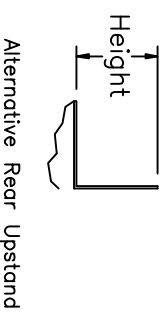
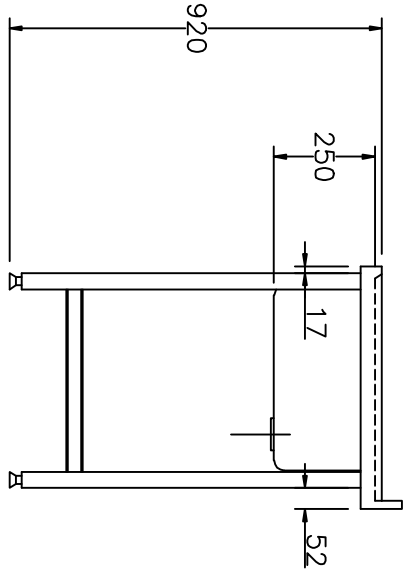
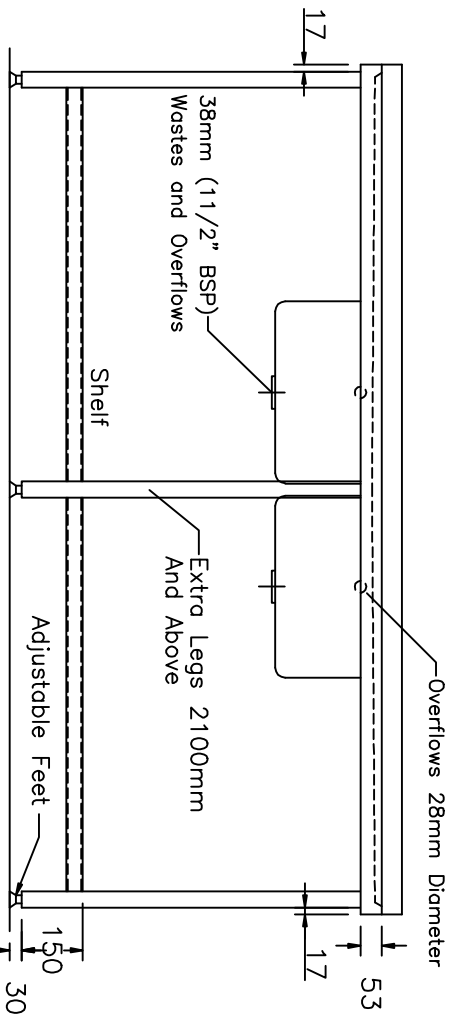
Anti Drip Edge in the Middle



Anti Drip Edge at Drainer Ends



Rear Upstand Detail



Alternative Rear Upstand