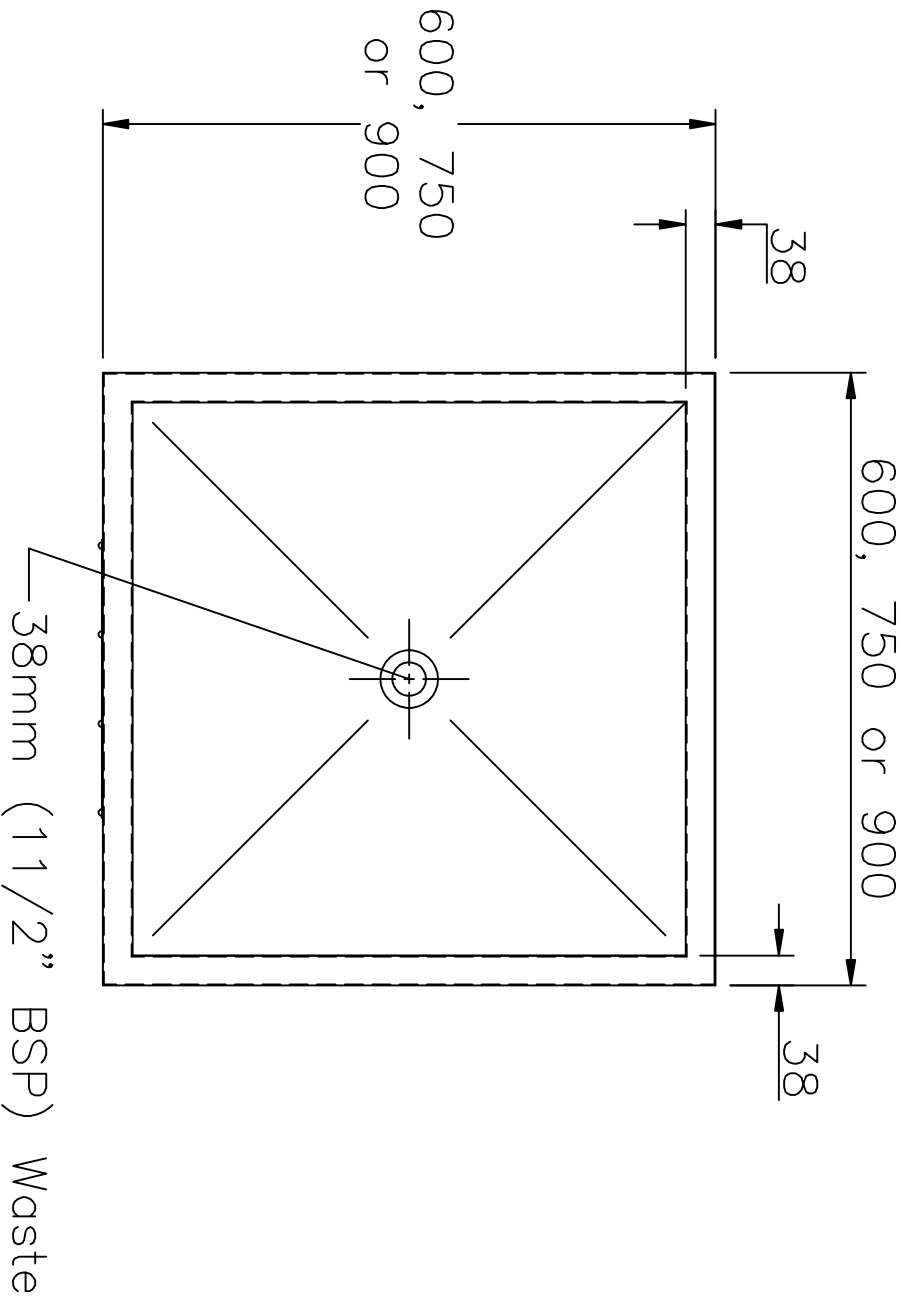


Non Standard Sizes By Request



Upstand to Rear with 6mm Diameter Fixing Holes

