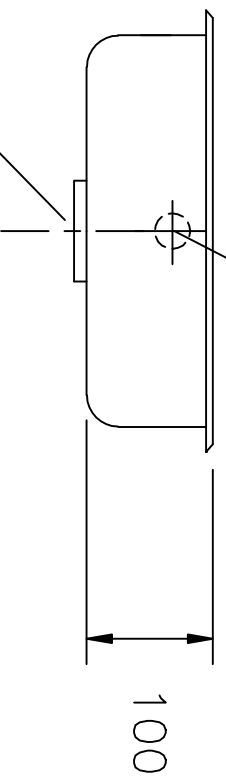


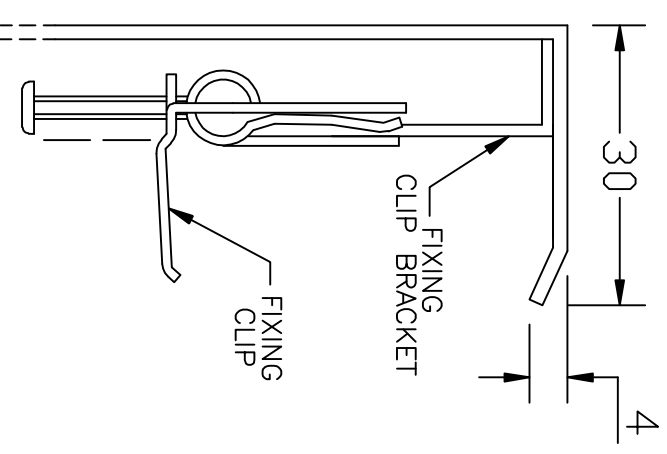
28mm Diameter Tapholes

Overflow 28mm Diameter



32mm (1 1/4" BSP) Waste and Overflow

SECTION THROUGH RIM



INSET MINI WASHBASIN