

READING COMBINED WASHBASIN AND WC SUITE

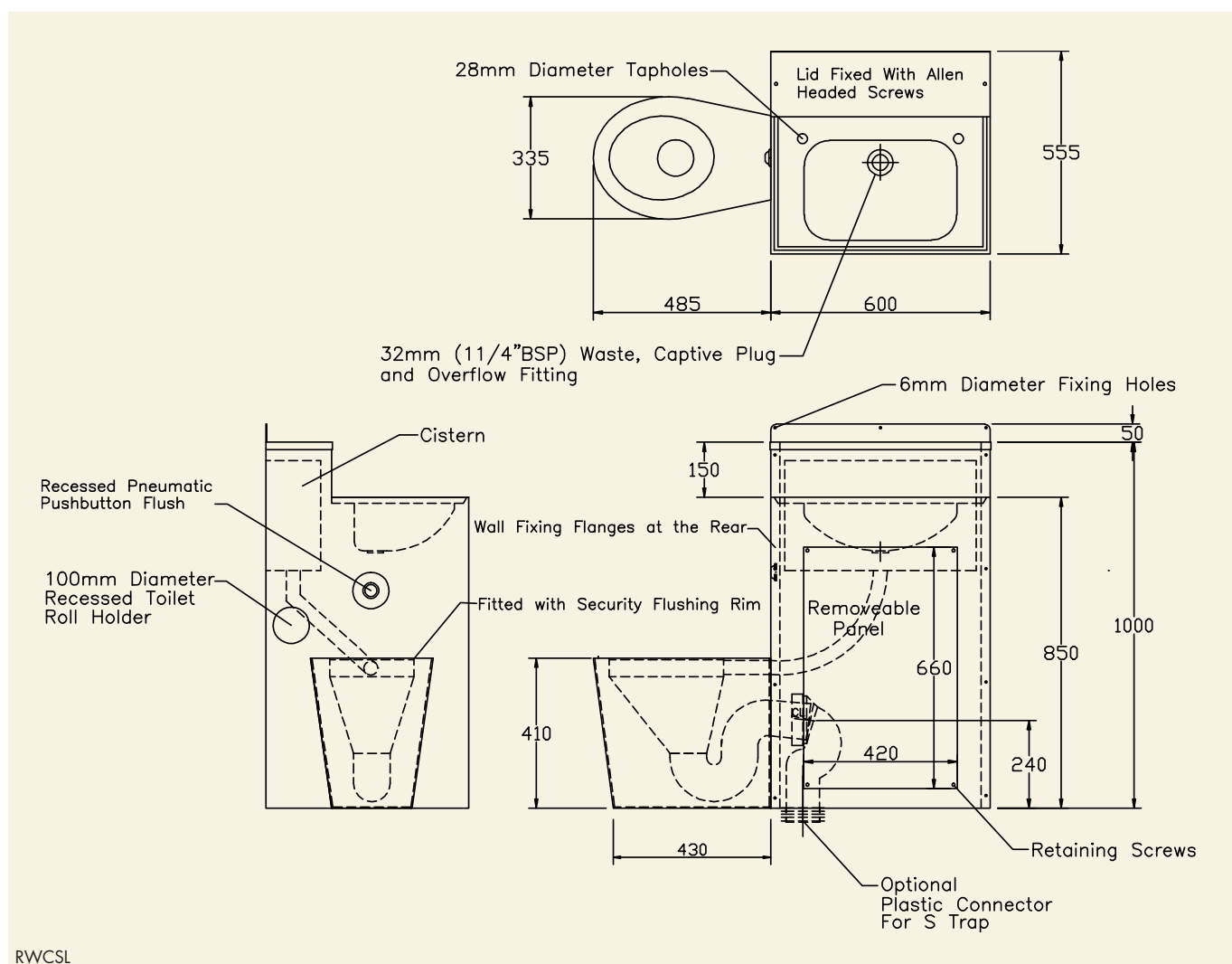
Ideally suited to areas of confined space, the Reading suite combines WC and handwashing facilities in one compact unit.

Maintenance access is via a removable panel and each unit is supplied with a shrouded P trap WC pan to the left or right hand side, an anti vandal basin waste fitting, a pair of non concussive taps, an integral toilet roll holder and a stainless steel pushbutton flush.

The pan is supplied with either fixed plastic seat pads or a black plastic seat and cover with stainless steel security pillar hinges, alternatively the top can be left plain.



1 Reading Combined Washbasin and WC Suite



RWCSL

PRODUCT DESCRIPTION

Reading combined washbasin and WC suite, left hand pan

Reading combined washbasin and WC suite, right hand pan

Seat requirements - add appropriate letter to end of ordering code

Black plastic seat and cover with Stainless Steel security pillar hinges

White plastic fixed seat pads

Fixing holes only for seat & cover

Plain top to pan (no holes)

ORDERING CODE

RWCSL

RWCSR

A

B

C

D