

## WALL MOUNTED WC PAN

Designed for situations where a clear floor area is required, the Wall Mounted P trap WC pan is manufactured with a heavy gauge back plate and through wall tie bolts.

Each pan is supplied with either fixed plastic seat pads or a black plastic seat and cover with stainless steel security pillar hinges, alternatively the top can be left plain.

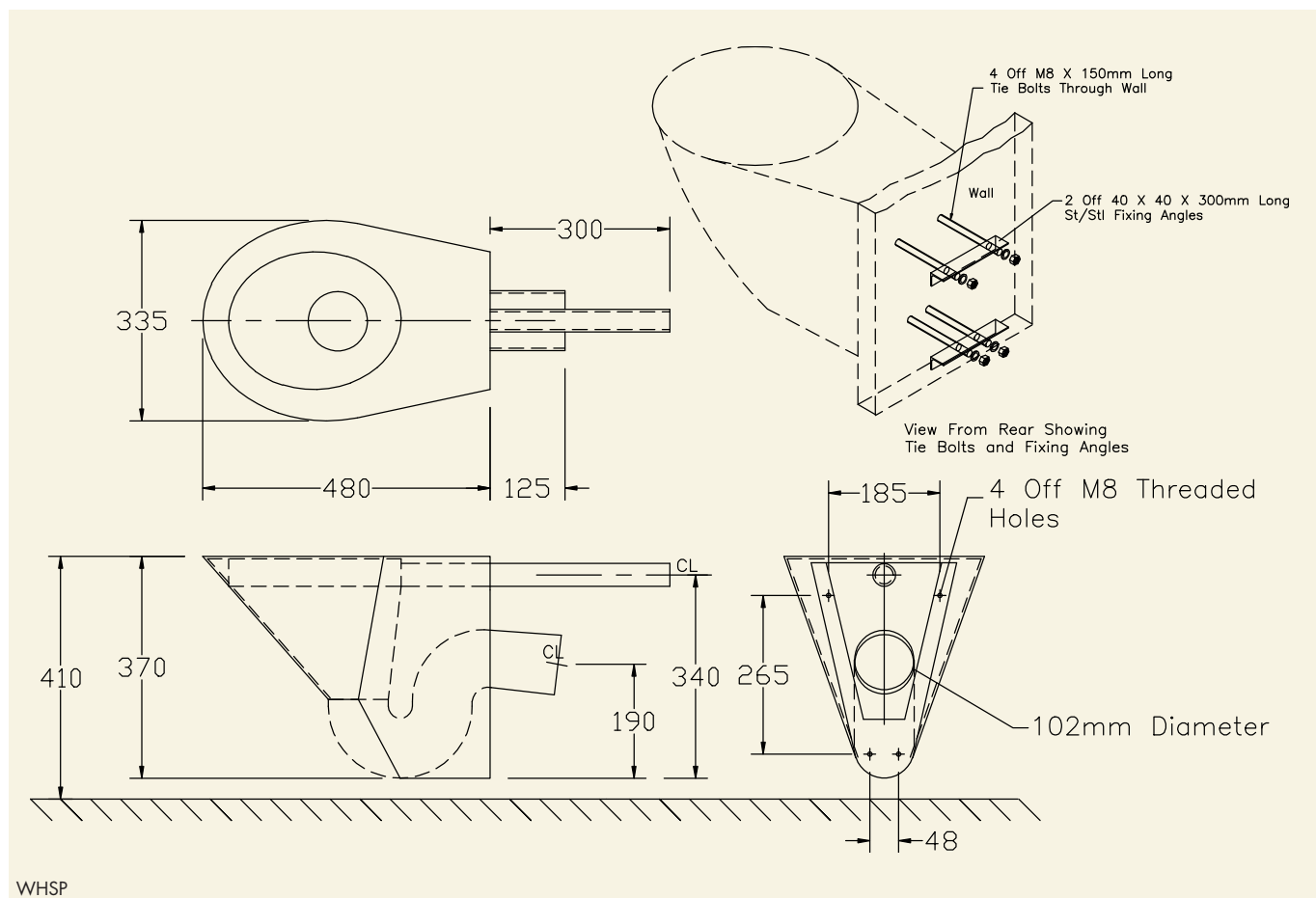
Note that this pan must be fixed to a wall of suitable strength as the loads involved can be high.



### Options

- Plastic concealed cistern with pneumatic pushbutton flush (Ordering Code PCC)

1 Wall Mounted WC Pan



### PRODUCT DESCRIPTION

Wall Mounted WC pan

### Seat requirements - add appropriate letter to end of ordering code

Black plastic seat and cover with Stainless Steel security pillar hinges

White plastic fixed seat pads

Fixing holes only for seat & cover

Plain top to pan (no holes)

### ORDERING CODE

WHSP

A

B

C

D