

STAINLESS STEEL WC CUBICLES

SDS stainless steel W.C cubicles are manufactured from 1.2mm thick 304 grade stainless steel sheeting both sides of a high density core, giving an overall thickness of 53mm for partitions and 28mm for cubicle doors. The standard depth of partition is 1500mm, although any size required can be provided.

The cubicles incorporate heavy duty stainless steel sliding indicator bolts, full length stainless steel piano hinges, anti finger trap door jambs and stainless steel recessed coat hooks.

To enable us to provide an accurate quotation it is best to provide a rough plan view sketch showing overall sizes, positions of any brick walls and positions of W.C pan outlets in the floor or wall.



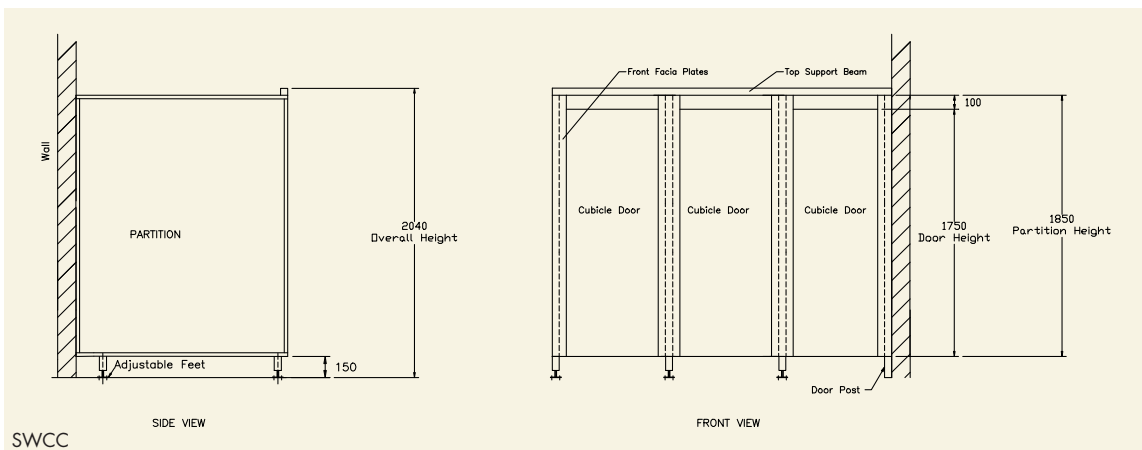
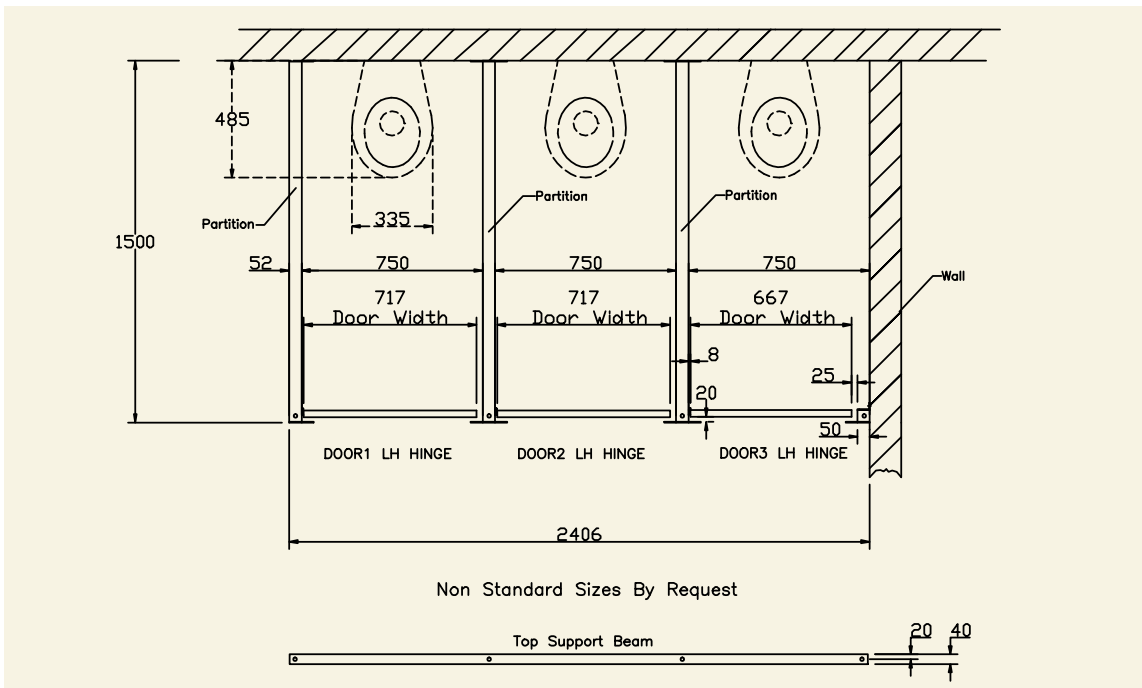
1 Stainless Steel adjustable Foot

2 Stainless Steel Door Handle

3 Stainless Steel Piano Hinge

4 Stainless Steel Indicator Bolt rear

5 Stainless Steel Indicator Bolt front



PRODUCT DESCRIPTION

Stainless steel cubicle partitions and doors

ORDERING CODE

SWCC

A plan view sketch is required to establish the required items listed below

Number of partitions

Number of doors

Number of end posts