

CLEANERS SINK

A 304 grade stainless steel cleaner's sink designed for heavy duty use, supplied with stainless steel hinged bucket grating, front support legs and a 38mm (1½" BSP) waste/overflow fitting.

CLEANERS COMBINATION UNIT

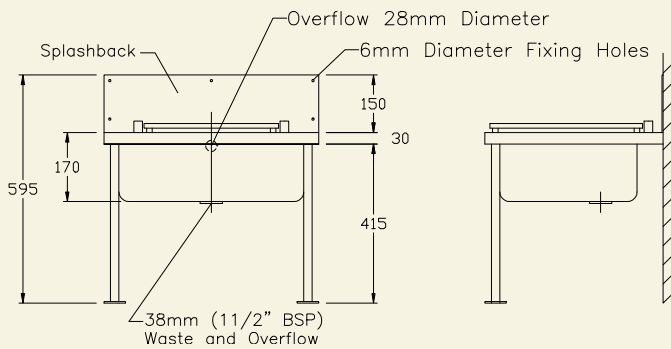
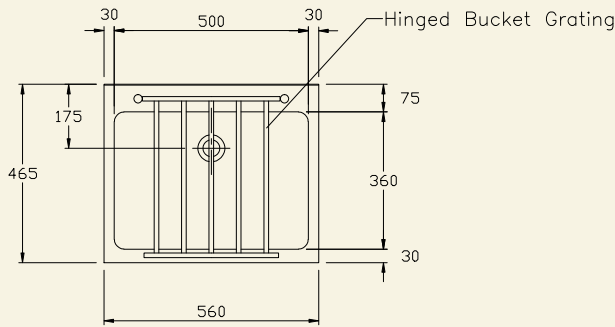
A 304 grade stainless steel Cleaners combination unit providing both hand wash and bucket filling facilities. The unit is supplied with a stainless steel hinged grating, a swivel tap, a 32mm (1½" BSP) waste/overflow fitting to the basin and a 38mm (1½" BSP) waste/overflow fitting to the bucket sink.



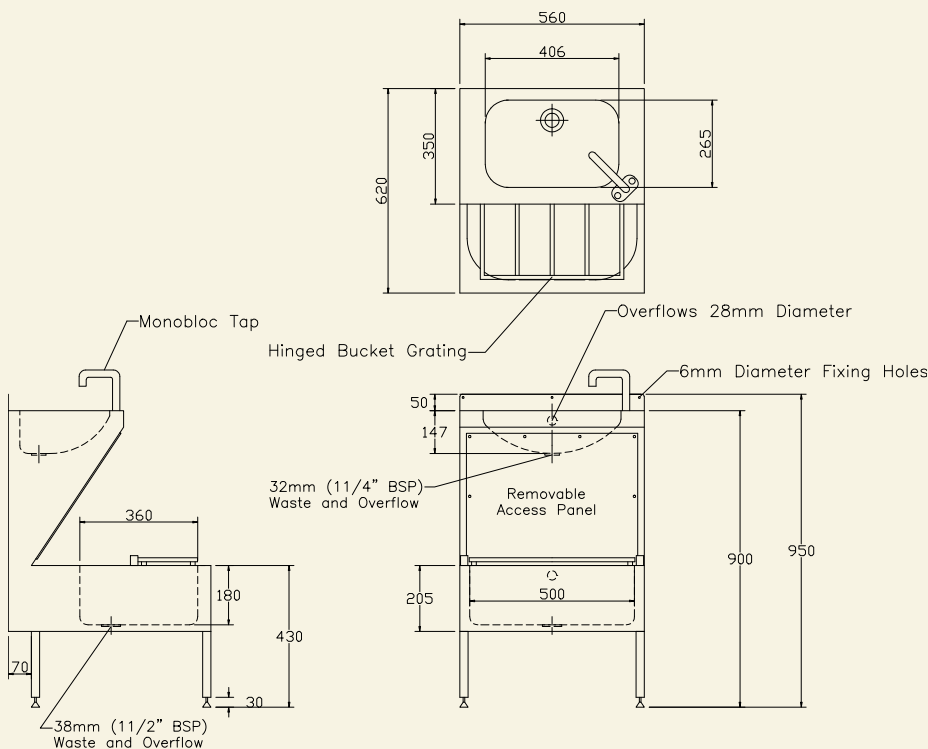
1 Cleaner's Sink

2 Cleaner's Combination Unit

3 Bucket Grating



CS



CCU

PRODUCT DESCRIPTION

Cleaner's Sink

Cleaner's Combination Unit

ORDERING CODE

CS

CCU