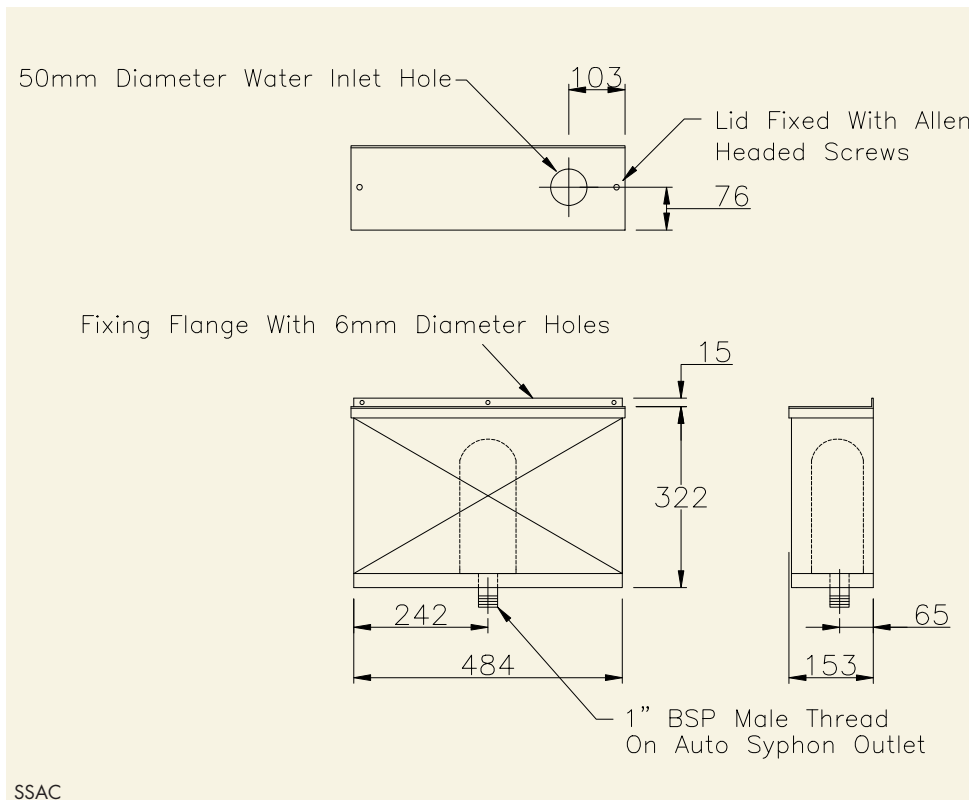
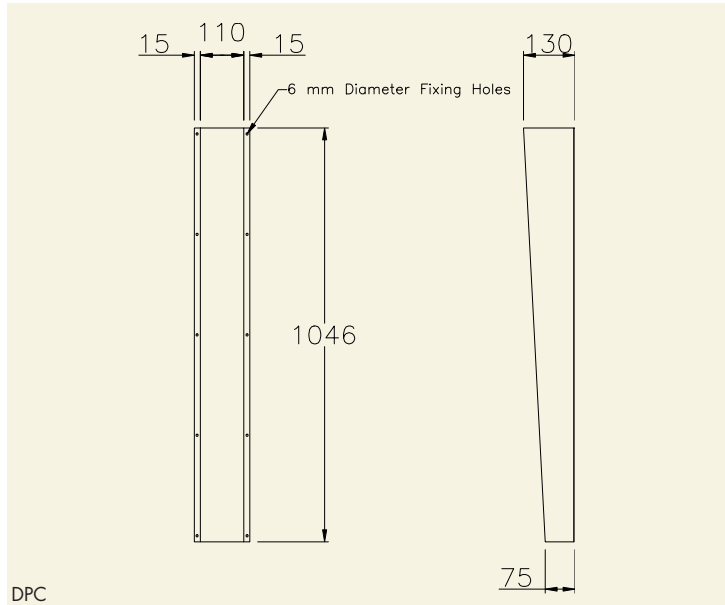


CONCEALED SPARGE WALL HUNG URINAL ACCESSORIES

STAINLESS STEEL AUTOMATIC CISTERN

Designed for automatic flushing of most types of urinal a Stainless Steel Automatic Cistern can be ordered with a urinal as an alternative to the supplied Plastic Auto Cistern, or as a separate product for an existing installation.

Manufactured from 304 grade stainless steel the cistern is available in 3 capacities (4.5, 9 or 13.5 litres) and is supplied with an automatic siphon, 1" BSP connection for a 22mm down pipe, petcock and lid.



- 1 DPC down pipe cover
- 2 SSAC stainless steel automatic flushing cistern
- 3 CTC corner trap cover
- 4 THTC top-hat trap cover

PRODUCT DESCRIPTION

- 4.5 Litre Stainless Steel Automatic Cistern
- 9 Litre Stainless Steel Automatic Cistern
- 13.5 Litre Stainless Steel Automatic Cistern
- Downpipe Cover
- Corner Trap Cover
- Top Hat Trap Cover

ORDERING CODE

- SAC4
- SAC9
- SAC13
- DPC
- CTC
- THTC

urinals