

## CATERING TABLES

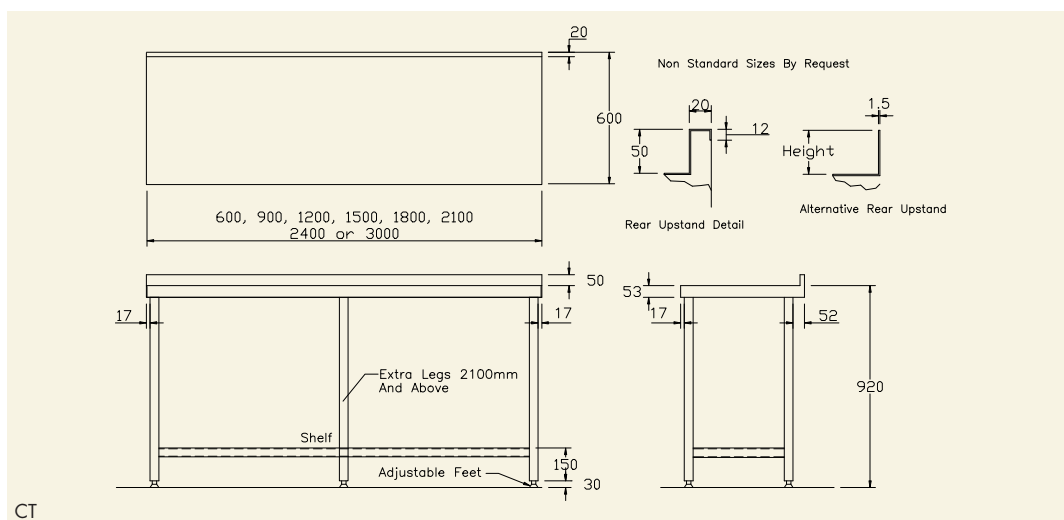
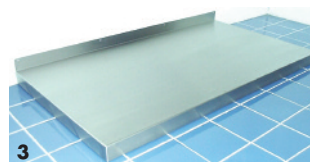
SDS heavy duty catering tables are manufactured from 1.5mm thick 304 grade stainless steel as one piece units of welded construction with an integral box section frame, undershelf and adjustable feet, no assembly is required.

Each table has a working height of 900mm and features a 50mm upstand to rear. Adjustable feet are provided to allow for uneven floor surfaces.

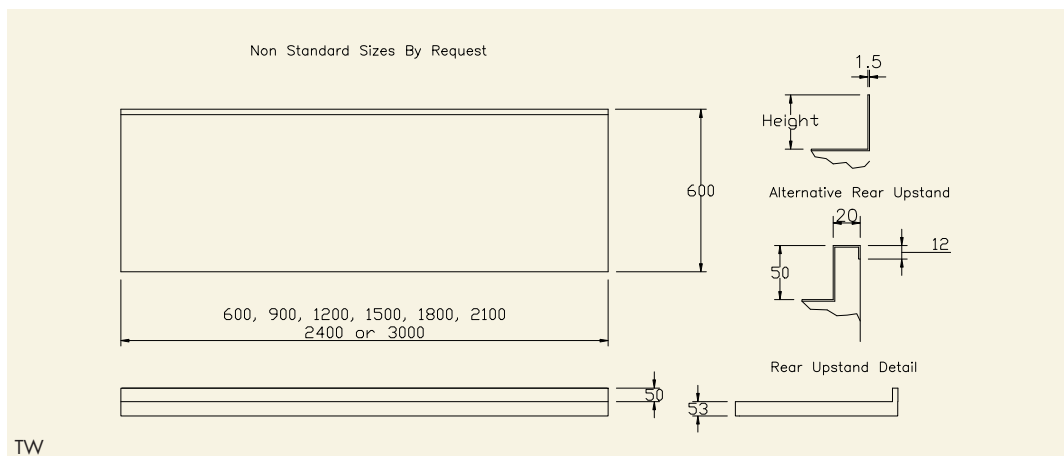
## WORKTOPS

Sit on worktops are manufactured from 1.5mm 304 grade stainless steel and incorporate a 50mm upstand to rear with 50mm downturns to front and sides.

A range of standard lengths are available with a width of 600mm, but almost any size and configuration can be manufactured.



CT



TW

- Options**
- Special size units
  - Corner cut outs

- 1 Catering Table  
2 Catering Table  
3 Sit on Worktop

### PRODUCT DESCRIPTION

### ORDERING CODE

Catering table 600x600mm with undershelf	CT600
Catering table 900x600mm with undershelf	CT900
Catering table 1200x600mm with undershelf	CT1200
Catering table 1500x600mm with undershelf	CT1500
Catering table 1800x600mm with undershelf	CT1800
Catering table 2100x600mm with undershelf	CT2100
Catering table 2400x600mm with undershelf	CT2400
Catering table 3000x600mm with undershelf	CT3000
Sit on worktop 600x600mm with upstand to rear	TW600
Sit on worktop 900x600mm with upstand to rear	TW900
Sit on worktop 1200x600mm with upstand to rear	TW1200
Sit on worktop 1500x600mm with upstand to rear	TW1500
Sit on worktop 1800x600mm with upstand to rear	TW1800
Sit on worktop 2100x600mm with upstand to rear	TW2100
Sit on worktop 2400x600mm with upstand to rear	TW2400
Sit on worktop 3000x600mm with upstand to rear	TW3000