

## BELFAST SINK

A heavy duty Belfast stainless steel sink unit manufactured in one piece with an integral stainless steel box section frame and supplied with a 38mm (1 1/2" BSP) waste/overflow fitting and adjustable feet.

The standard unit is 710mm x 560mm overall with a bowl size of 610mm x 460mm x 290mm. Made to measure units can be manufactured to any size required.

A version with 2 tap holes at 180mm centres is also available; this unit is 710mm x 610mm overall.

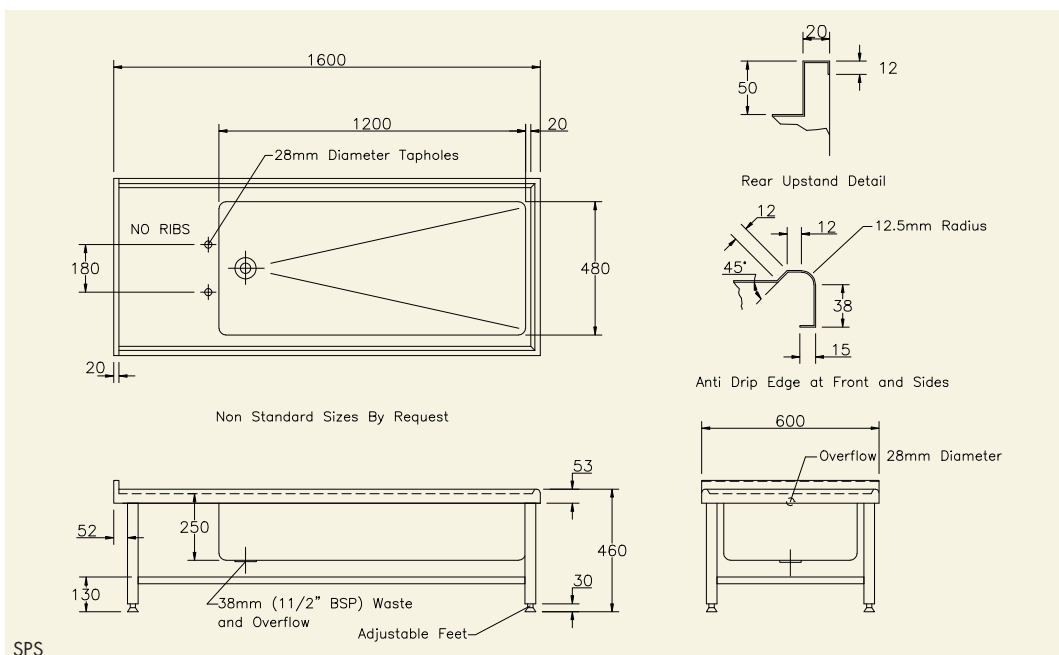
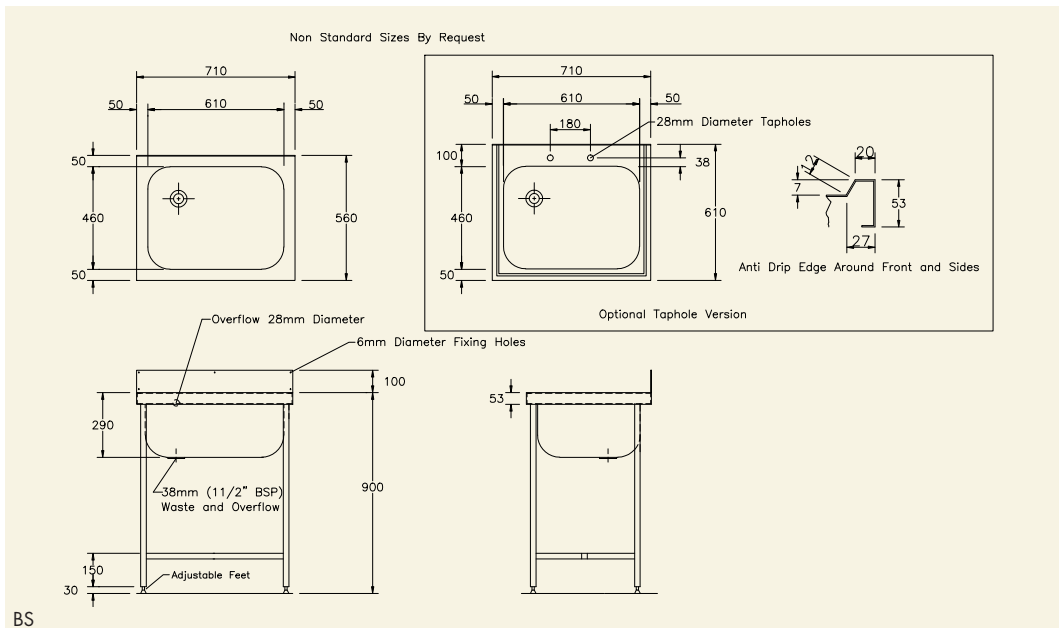
## PLAY SINK

A Purpose designed Play Sink manufactured from 1.5mm thick 304 grade stainless steel, incorporating a rolled top edge to 3 sides for safety and a low frame for easy access.

The standard Play Sink is 1600mm x 600mm overall with a bowl 1200mm x 480mm x 250mm, and is supplied with 2 tap holes at 180mm centres, 38mm (1 1/2" BSP) waste/overflow fitting and adjustable feet. Made to measure units can be manufactured to any size required.



1 Standard Belfast Sink  
2 Special Belfast Sink  
3 Play Sink  
4 Play Sink Rolled Edge  
5 Play Sink Drainer



### PRODUCT DESCRIPTION

- Belfast sink on stand 710x560mm, no tap holes
- Belfast sink on stand 710x610mm, 2 tap holes
- Play sink 1600x600mm, 2 tap holes

### ORDERING CODE

- BS
- BST
- SPS