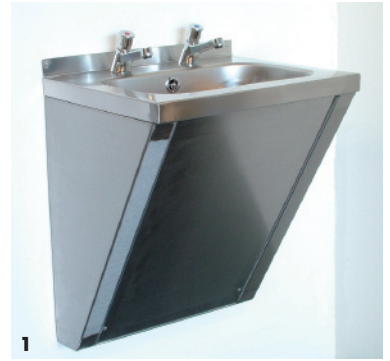


# SECURITY BASINS

Security washbasins are designed for use in high risk areas and feature all services enclosed within a stainless steel shroud.

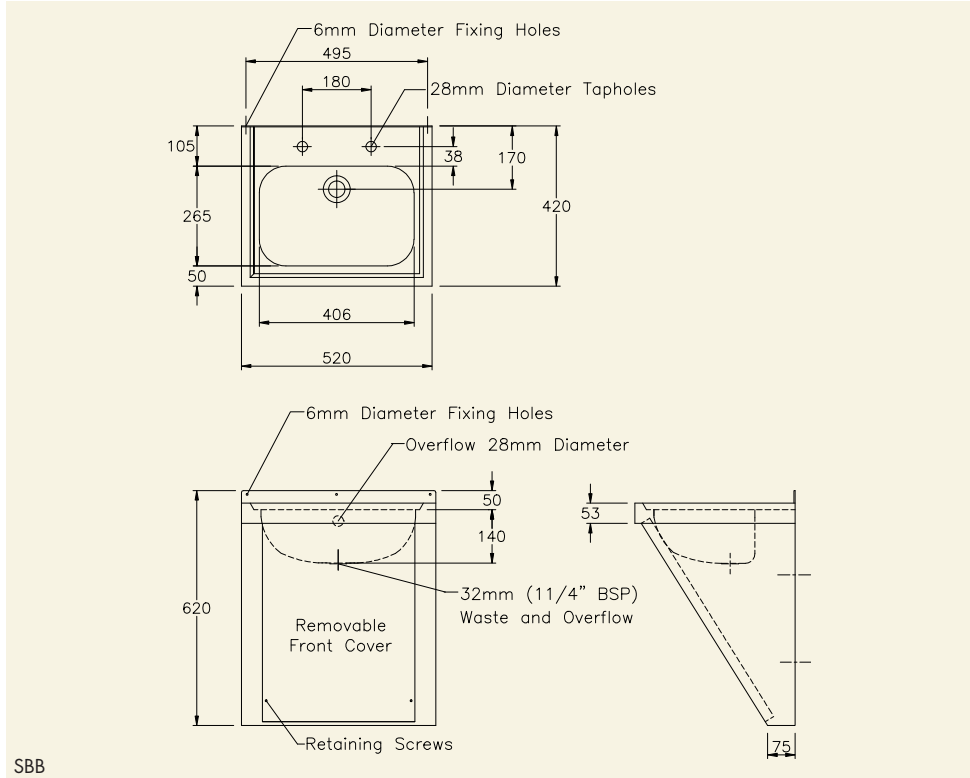
The basins are available as either a wall mounted unit with a sloping shroud or a full down to floor type.

Both models incorporate a removable access panel for service access and are supplied with a 32mm (1½" BSP) waste/overflow fitting and 2 tap holes, optionally one or both can be deleted.

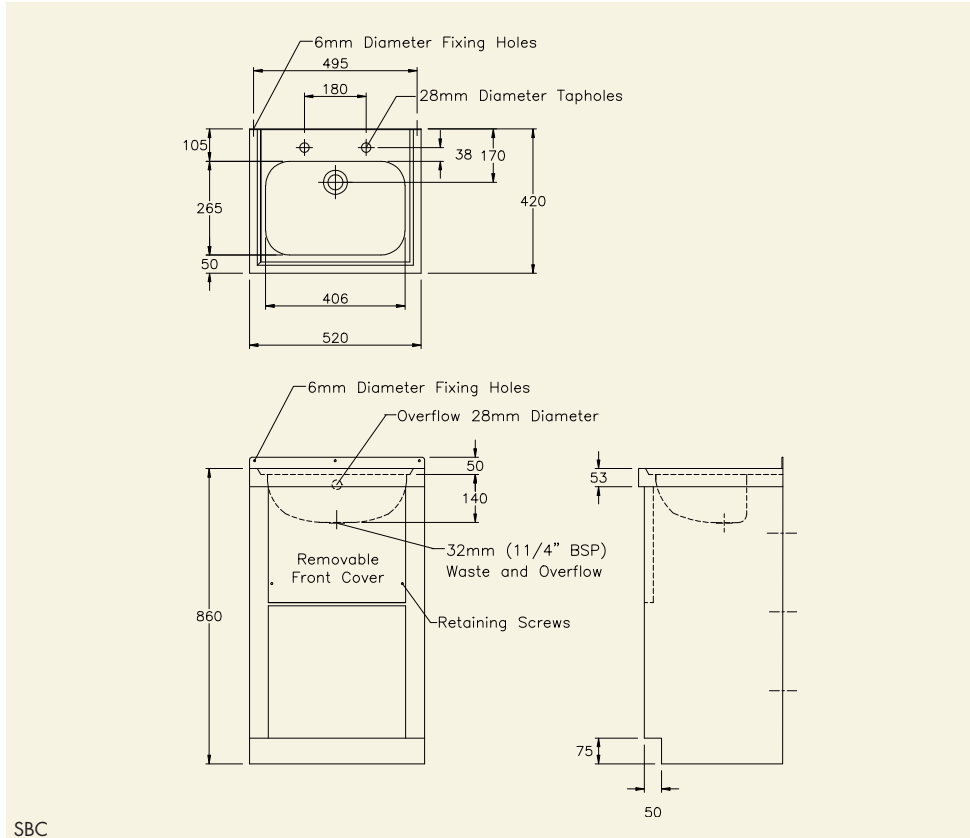


1 Wall Mounted Security Basin

2 Floor Standing Security Basin



SBB



SBC

**PRODUCT DESCRIPTION**

- Wall mounted security basin with 2 tapholes
- Floor mounted security basin with 2 tapholes

**ORDERING CODE**

- SBB
- SBC

handwash