

VANITY UNITS

The SDS stainless steel vanity unit is available with up to 6 basins and in 3 different models:

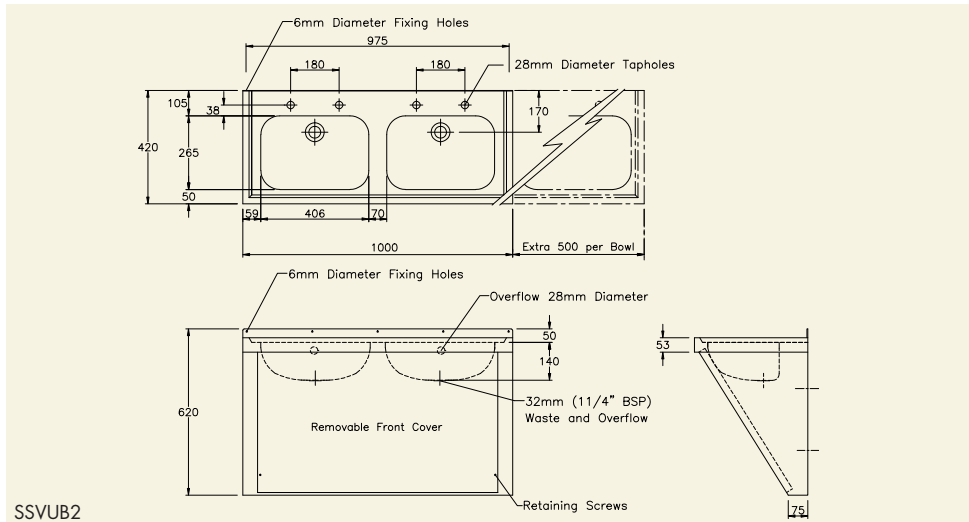
- TYPE A:** Wall mounted unit with no underskirt for low risk areas.
- TYPE B:** Wall mounted unit with a sloping shroud and removable access panel.
- TYPE C:** Floor standing unit with a down to floor shroud and removable access panel.

All units are 420mm wide with a length of 500mm per basin, and are supplied with 32mm (1 1/2" BSP) waste/overflow fittings.

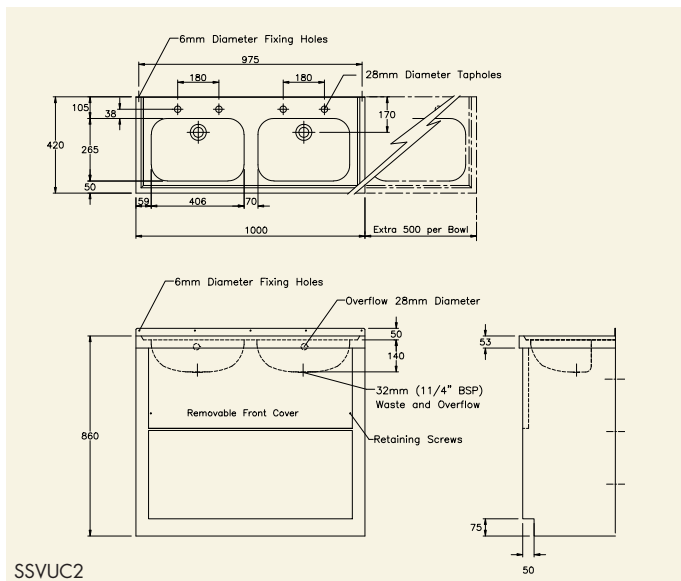
2 tap holes per basin are provided as standard but optionally one or both can be deleted.



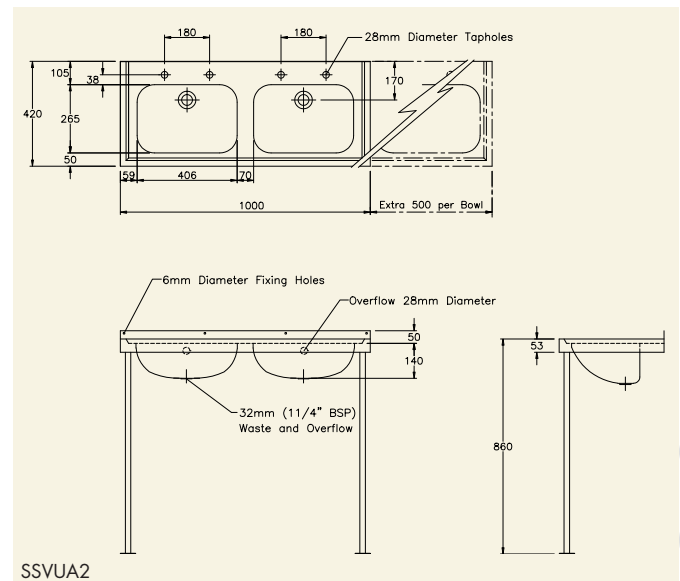
1 Vanity Unit Type A
 2 Vanity Unit Type B
 3 Vanity Unit Type C
 4 Access Panel Fixing Detail



SSVUB2



SSVUC2



SSVUA2

PRODUCT DESCRIPTION

- 2 basin vanity unit with front support legs and wall brackets
- 3 basin vanity unit with front support legs and wall brackets
- 4 basin vanity unit with front support legs and wall brackets
- 5 basin vanity unit with front support legs and wall brackets
- 6 basin vanity unit with front support legs and wall brackets
- 2 basin wall mounted vanity unit with removable access panel
- 3 basin wall mounted vanity unit with removable access panel
- 4 basin wall mounted vanity unit with removable access panel
- 5 basin wall mounted vanity unit with removable access panel
- 6 basin wall mounted vanity unit with removable access panel
- 2 basin floor standing vanity unit with removable access panel
- 3 basin floor standing vanity unit with removable access panel
- 4 basin floor standing vanity unit with removable access panel
- 5 basin floor standing vanity unit with removable access panel
- 6 basin floor standing vanity unit with removable access panel

ORDERING CODE

- SSVUA2
- SSVUA3
- SSVUA4
- SSVUA5
- SSVUA6
- SSVUB2
- SSVUB3
- SSVUB4
- SSVUB5
- SSVUB6
- SSVUC2
- SSVUC3
- SSVUC4
- SSVUC5
- SSVUC6

handw