

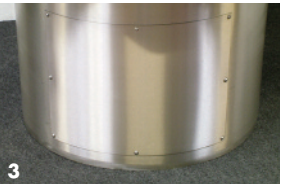
## FREE STANDING WASH TROUGHS ISLAND WASH TROUGHS

The Island wash trough is manufactured in one piece and is provided with a tap landing on each side, pairs of tap holes for deck mounted taps, 38mm (1½" BSP) flush grated waste fittings to one end and adjustable feet,

## CIRCULAR WASH TROUGHS

The SDS Circular wash trough is suitable for use by up to 6 persons and is provided with non concussive hand push taps, integral soap dispensers and a thermostatic blending valve concealed within the base unit (which can be removed for installation if access is restricted).

2 Models are available, a bottom inlet version for under floor service entry, and a top inlet version where services are routed vertically downwards through the central column (The floor to ceiling height must be specified with order on this model as the central column is made to suit).



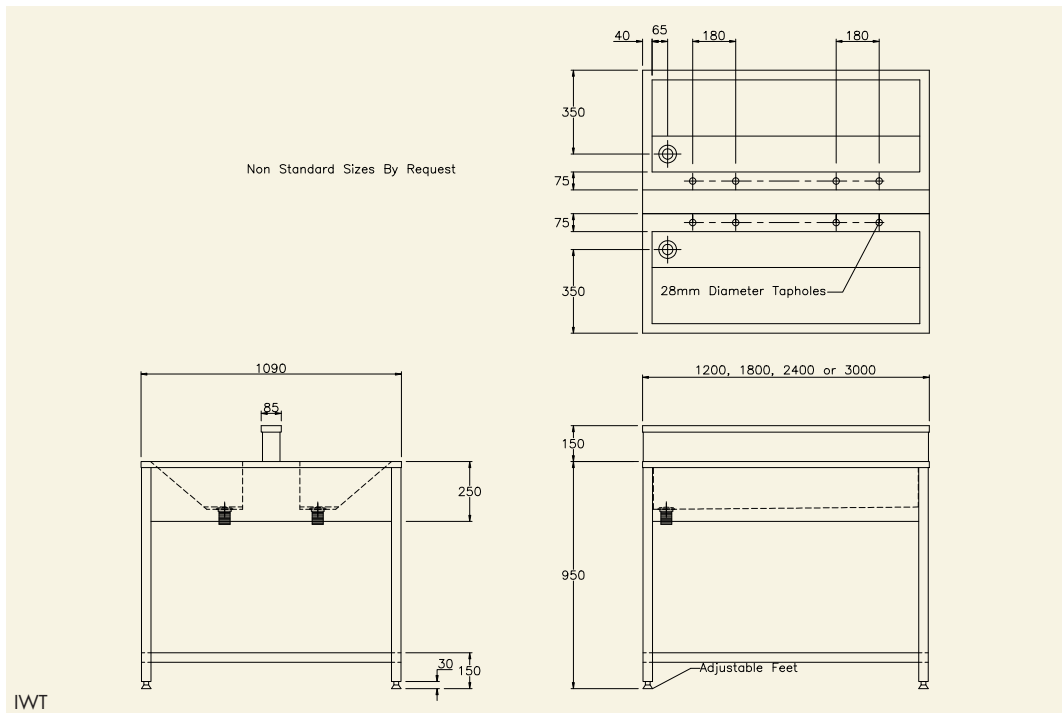
- Options**
- Special size units (up to 3000mm in one piece)
  - Deck Mounted Soap Dispensers

1 Island Wash Trough

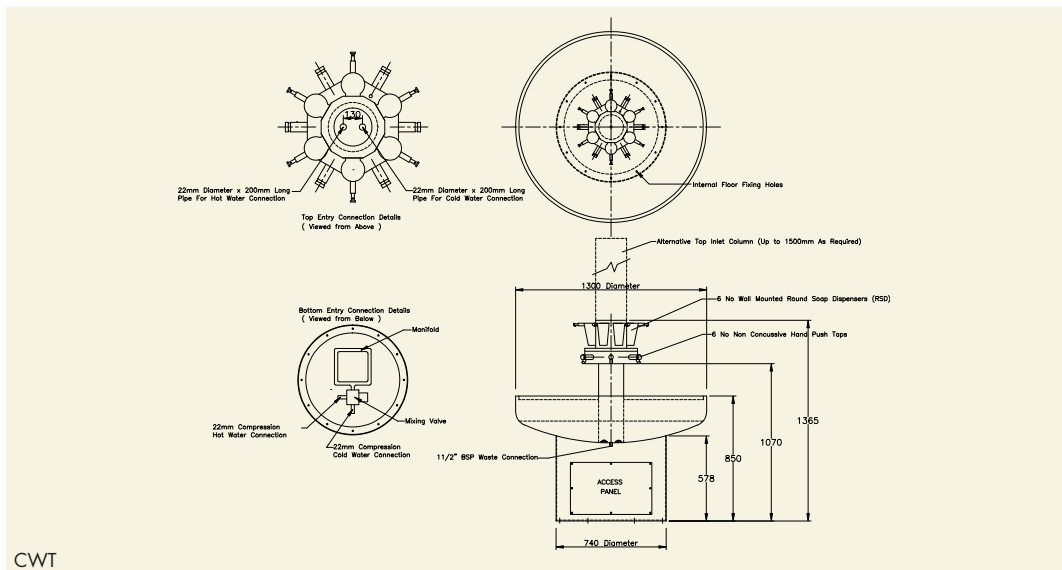
2 Circular Wash Trough

3 Removable Access Panel

4 Non Concussive Taps and Soap Dispensers



IWT



CWT

**PRODUCT DESCRIPTION**

- 1200mm Island Wash Trough, 4 pairs tap holes
- 1800mm Island Wash Trough, 6 pairs tap holes
- 2400mm Island Wash Trough, 8 pairs tap holes
- 3000mm Island Wash Trough, 8 pairs tap holes
- Circular Wash Trough, bottom inlet
- Circular Wash Trough, top inlet

**ORDERING CODE**

- IWT1200
- IWT1800
- IWT2400
- IWT3000
- CWTB
- CWTT

handwash