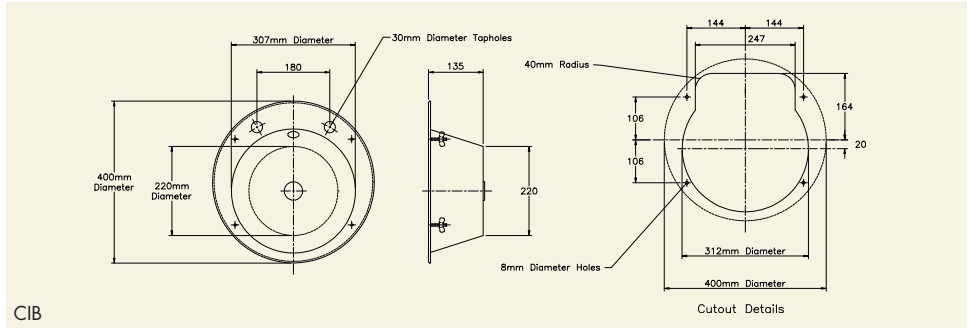


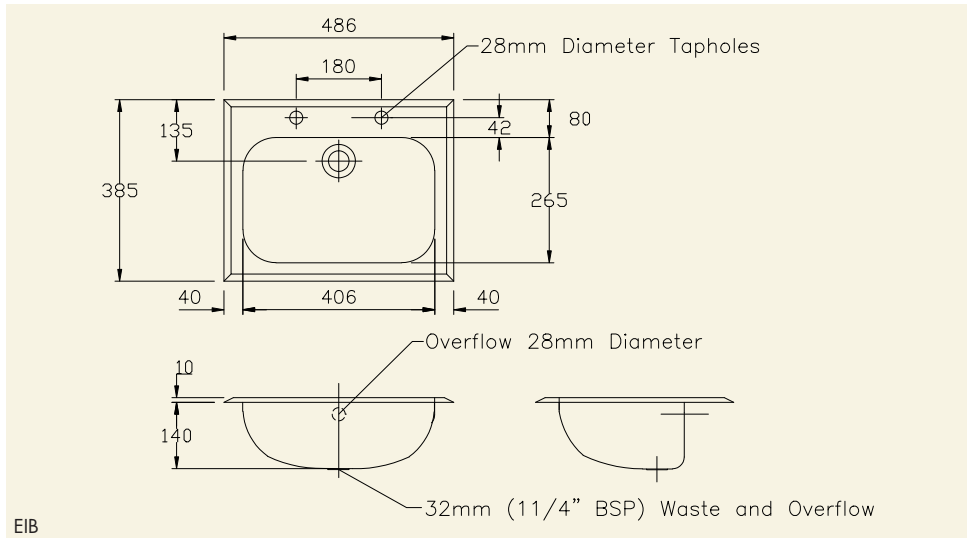
# LARGE WASHBASINS

Large washbasins are supplied with a 32mm (1 1/4" BSP) waste/overflow fitting and 2 tapholes.

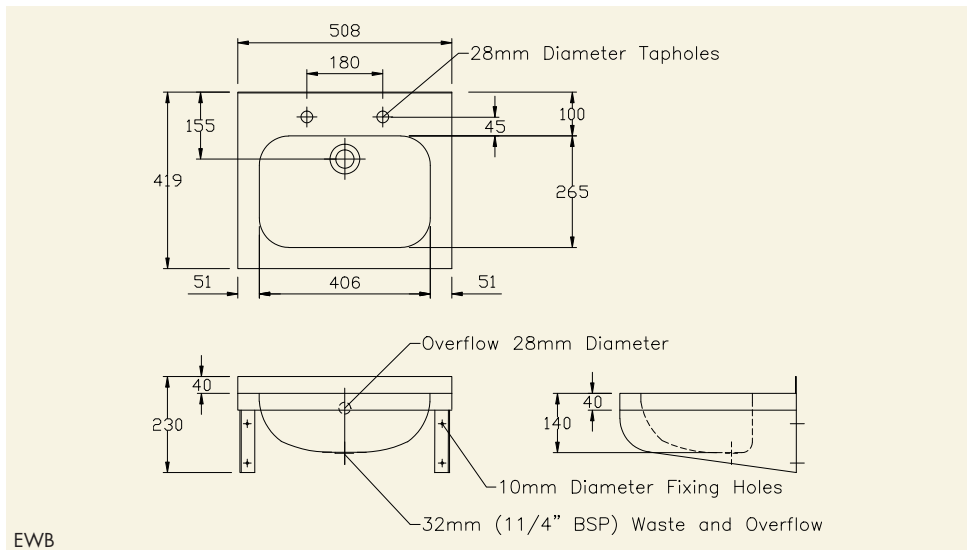
Inset washbasins are provided with fixing clips, the EWB wall mounted basin has wall fixing brackets and can also be supplied with front support legs and side fixings to enable the assembly of ranges of multiple basins.



CIB



EIB



EWB

1 Inset Circular Washbasin (CIB)

2 Inset Square Washbasin (EIB)

3 Wall Mounted Washbasin (EWB)

**PRODUCT DESCRIPTION**

**ORDERING CODE**

Inset circular washbasin	CIB
Inset square washbasin	EIB
Wall mounted washbasin	EWB
Wall mounted washbasin with front support legs	EWB1
Range of 2 wall mounted washbasins with front support legs	EWB2
Range of 3 wall mounted washbasins with front support legs	EWB3
Range of 4 wall mounted washbasins with front support legs	EWB4
Range of 5 wall mounted washbasins with front support legs	EWB5
Range of 6 wall mounted washbasins with front support legs	EWB6
Range of 7 wall mounted washbasins with front support legs	EWB7
Range of 8 wall mounted washbasins with front support legs	EWB8

handwash