

HAND RINSE UNITS

SDS stainless steel hand rinse units are designed for recessing into a wall in situations where soap and hot air facilities are not required

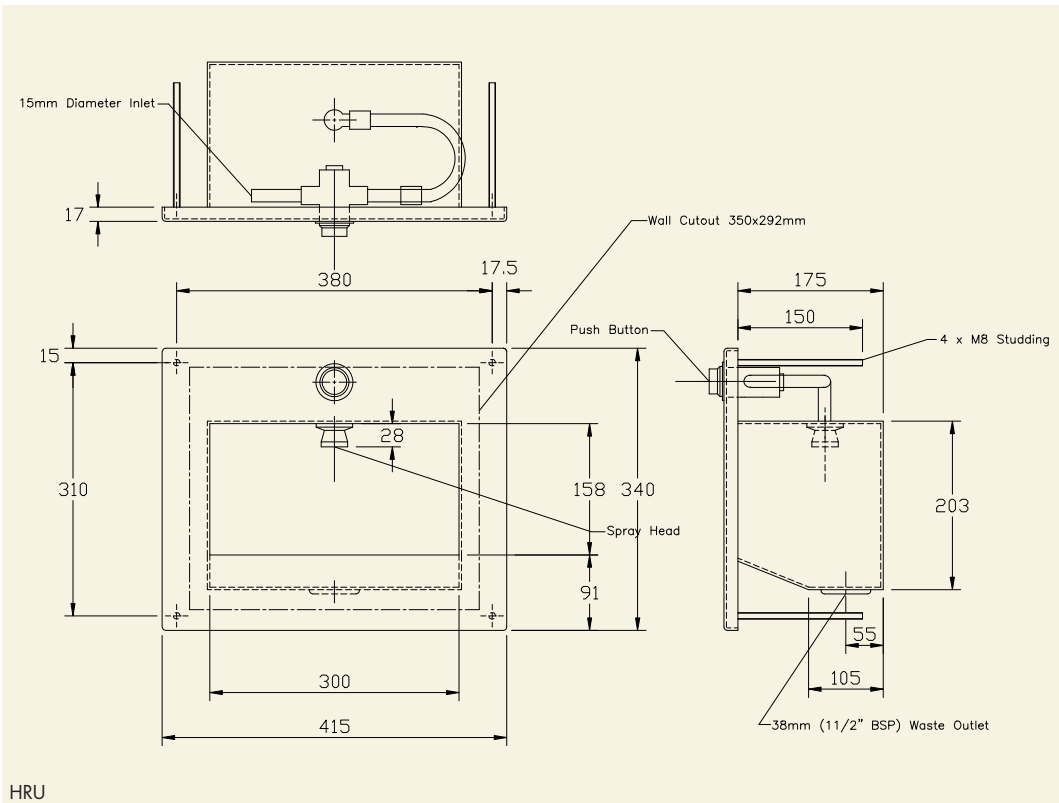
The standard hand rinse unit (HRU) is supplied with a push button timed flow valve ready for connection to a pre-mixed water supply and is ideal for use in public conveniences.

The electronically operated secure facility hand rinse unit (SHRU) is purpose designed for use in secure establishments and incorporates many advanced features, including a clog resistant waste and an electronic control unit to prevent deliberate flooding.

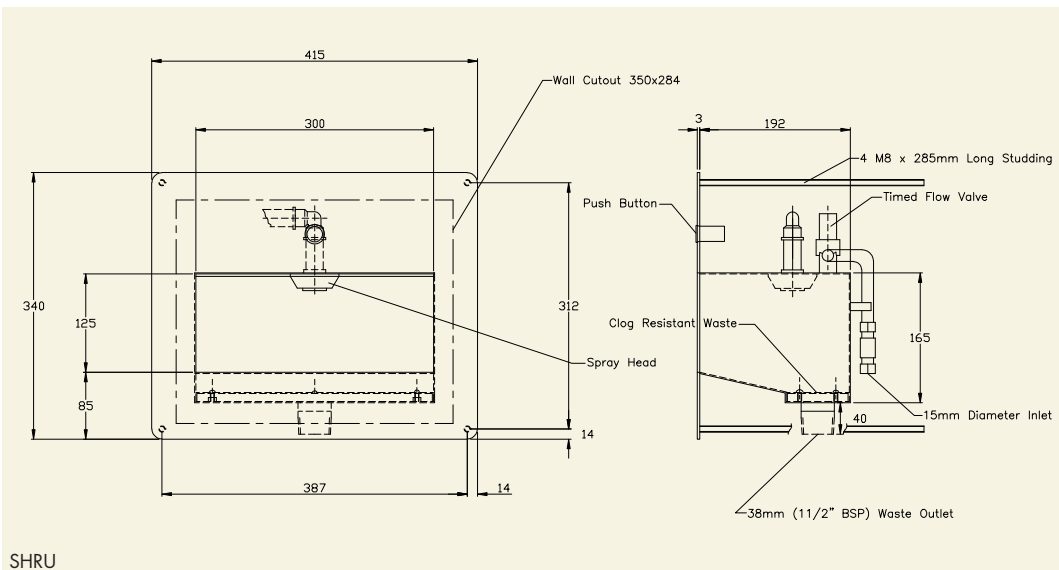
Both models are supplied with a waste fitting and through wall fixings.



1 Standard Hand Rinse Unit (HRU)



HRU



SHRU

PRODUCT DESCRIPTION

- Standard hand rinse unit
- Secure facility hand rinse unit

ORDERING CODE

- HRU
- SHRU

handwash