

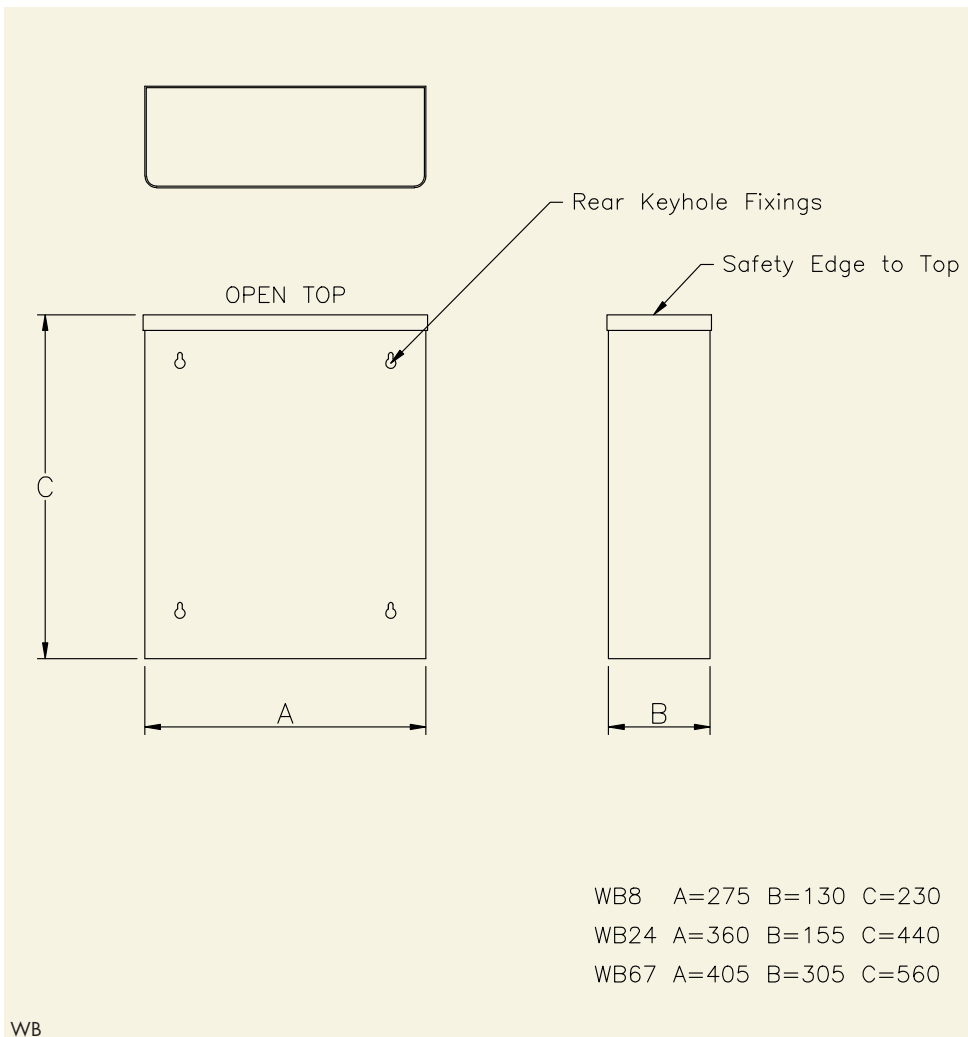
### WASTE BINS

Waste bins are available in 3 sizes and are provided with keyhole fixings for wall mounting.

- Dimensions: 8 litre 275mm x 130mm x 230mm
- 24 litre 360mm x 155mm x 440mm
- 67 litre 405mm x 305mm x 560mm



1 Waste Bins  
 a 67 litre  
 b 23 litre  
 c 8 litre



WB8 A=275 B=130 C=230  
 WB24 A=360 B=155 C=440  
 WB67 A=405 B=305 C=560

WB

PRODUCT DESCRIPTION	ORDERING CODE
8 litre waste bin	WB8
24 litre waste bin	WB24
67 litre waste bin	WB67

washroom

## DISPOSAL CHUTE

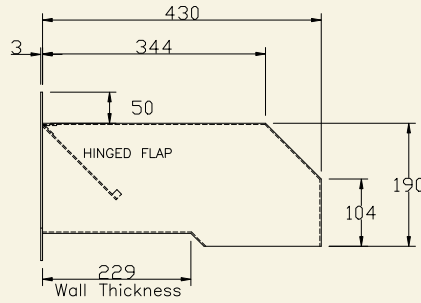
A wall recessed disposal chute suitable for the disposal of sanitary towels or nappies into a service duct bin, available in 2 models to suit common wall thicknesses, each incorporating a hinged flap and through wall fixings. Dimensions: 240mm x 316/433mm x 260mm. Cutout Dimensions: 185mm x 200mm.

A stainless steel bin is available as an optional extra. Dimensions: 190mm x 210mm x 230mm.

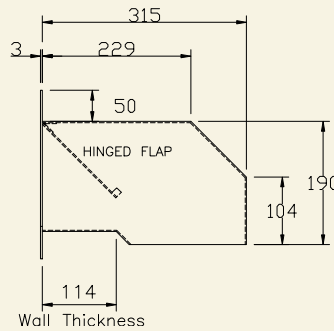
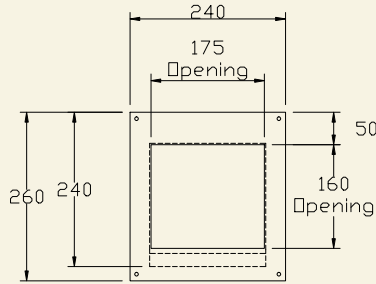


1 Disposal Chute Front

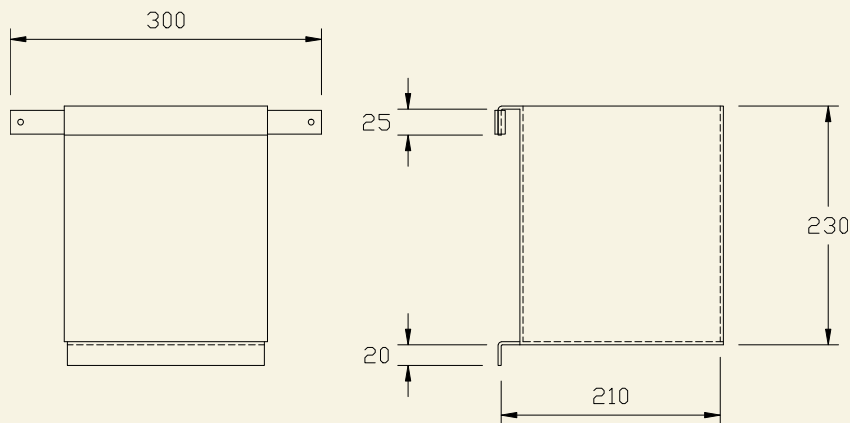
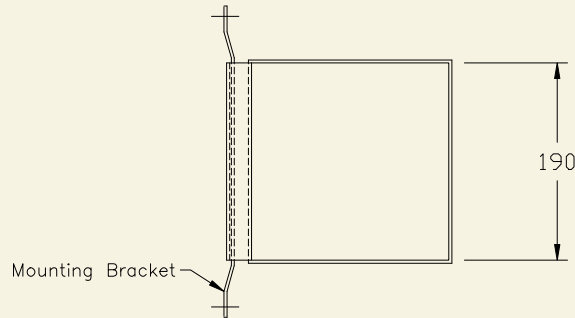
2 Disposal Chute Rear and Bin



Wall Cutout 185mm Wide x 200mm High



PS



PSB

### PRODUCT DESCRIPTION

- Disposal chute to suit 114mm thick wall
- Disposal chute to suit 229mm thick wall
- Disposal chute bin

### ORDERING CODE

- PS114
- PS229
- PSB

washroom