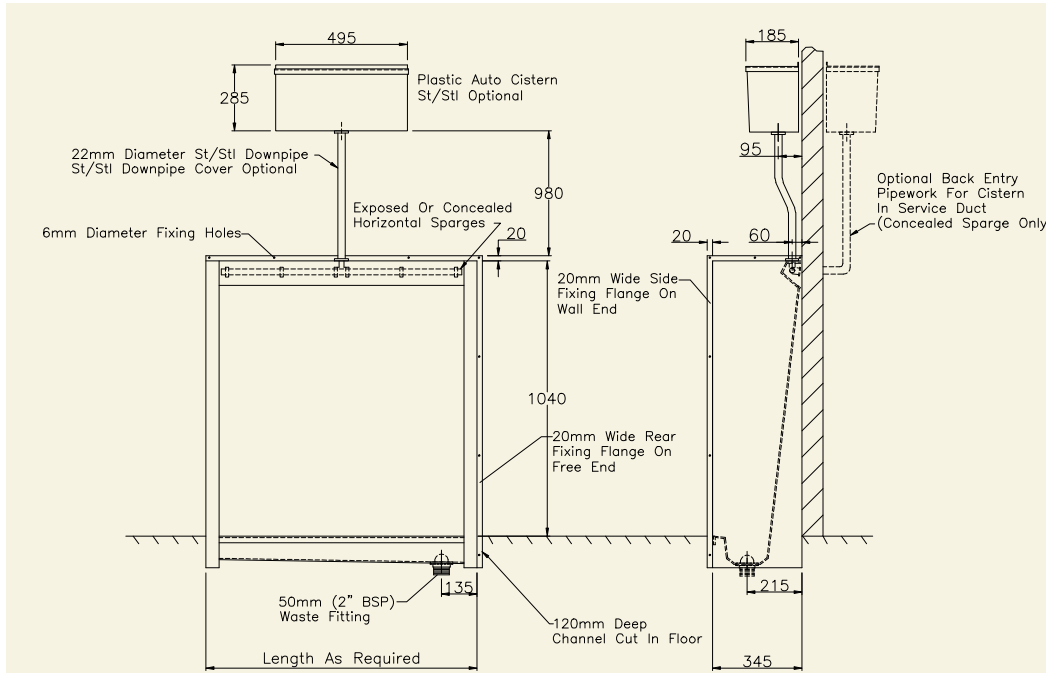
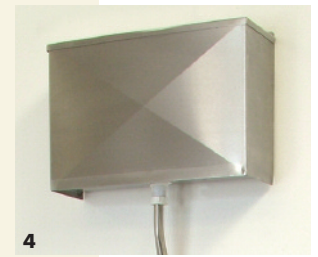


# FLOOR RECESSED URINAL

SDS floor recessed urinals are manufactured as one piece units from 304 grade stainless steel 1.2mm thick, with a smooth satin polished non reflective surface.

The horizontal flushing spargers have a top entry inlet as standard and are supplied exposed, or alternatively concealed within a stainless steel box for high risk areas.

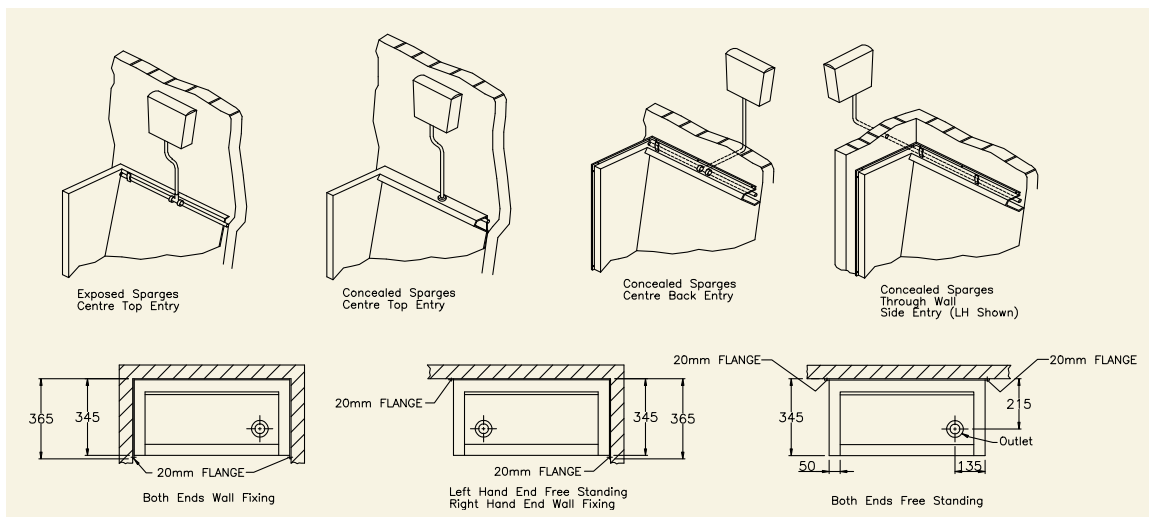
Floor recessed urinals are supplied with wall fixed or free standing ends, a plastic automatic flushing cistern, stainless steel downpipe, 50mm (2" BSP) waste fitting to left or right hand end, downpipe clip & stainless steel fixing screws.



- Options**
- Non standard waste position
  - Back or side entry inlet connection (concealed sparge model only)
  - Stainless steel automatic flushing cistern
  - Stainless steel downpipe cover
  - L or U shaped units

FRUC and FRUE

- 1 FRUE Exposed Sparge floor recessed urinal
- 2 FRUC Concealed Sparge floor recessed urinal
- 3 Plastic automatic flushing cistern
- 4 Optional stainless steel automatic flushing cistern



FRUC and FRUE

**PRODUCT DESCRIPTION**

- Exposed sparge floor recessed urinal
- Concealed sparge floor recessed urinal

**ORDERING CODE**

- FRUE
- FRUC

**Additional information required for ordering - add length required to the above ordering code followed by the appropriate letters for ends (left hand first) and outlet position**

Overall length of urinal	(In Metric or Imperial)
Wall fixed end	W
Free standing end	F
Left hand outlet	L
Right hand outlet	R

**ORDERING EXAMPLE**

To specify an exposed sparge floor recessed urinal 1200mm long with a left hand wall fixed end, a right hand free standing end and a left hand outlet the ordering code would be:

**ORDERING CODE**

FRUE1200WFL