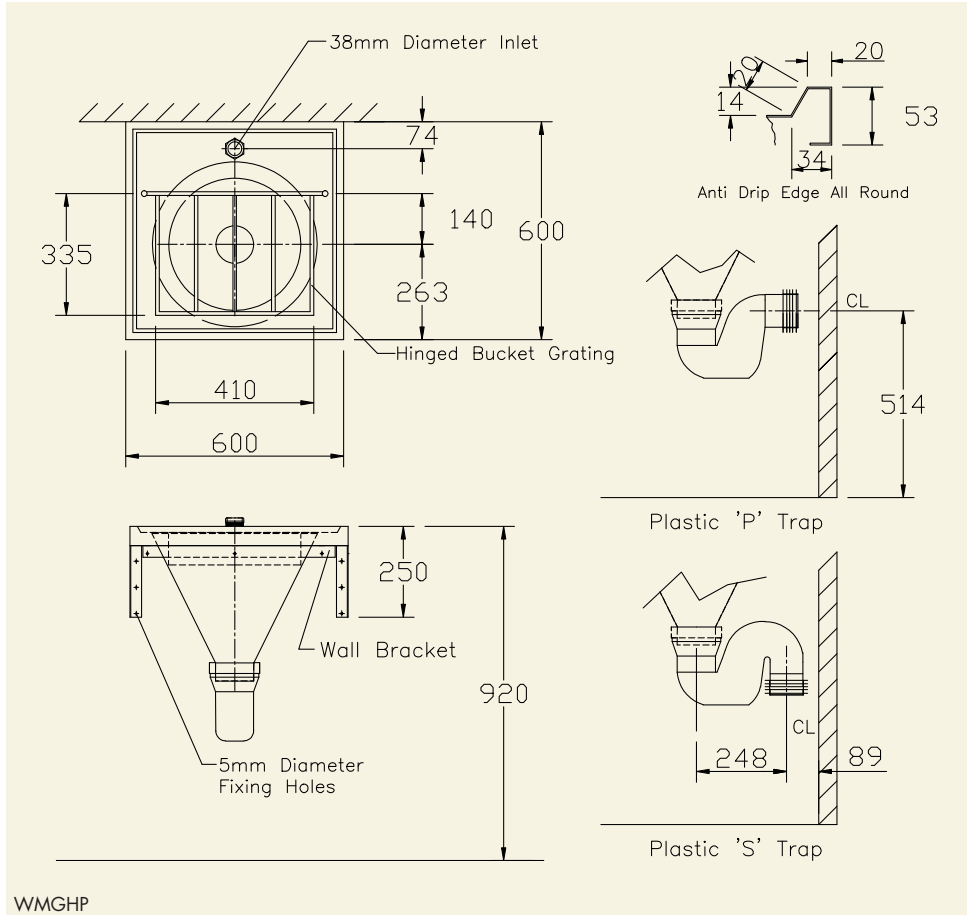


HOPPER WITH GRATING

The SDS hopper with grating is a wall mounted unit manufactured from 304 grade stainless steel incorporating integral cantilever brackets and a hinged bucket grating. It is supplied with a plastic P or S trap, and a top entry flush connection.

HOPPER WITH DRAINER

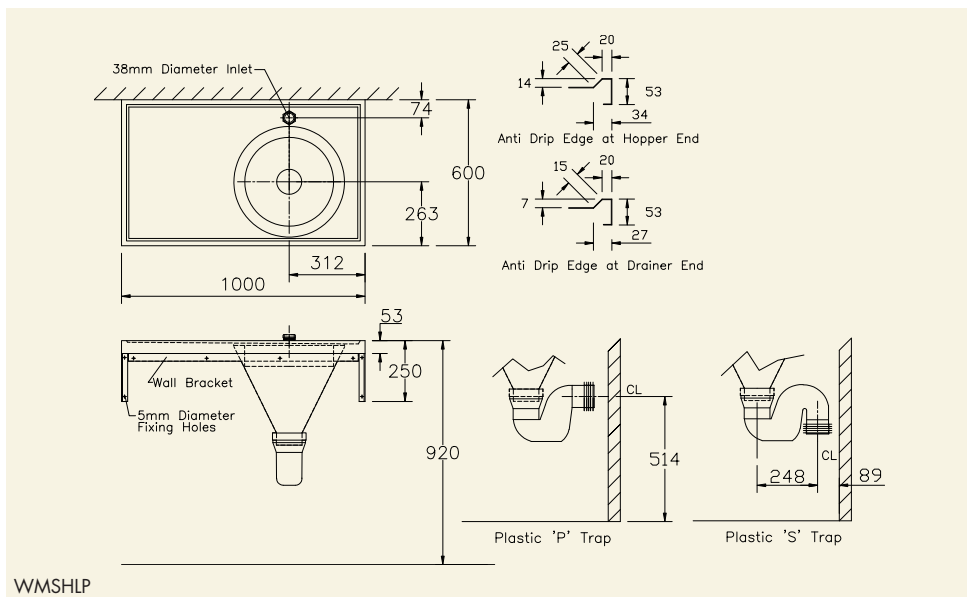
The SDS hopper with drainer is a wall mounted unit manufactured from 304 grade stainless steel incorporating integral cantilever brackets and is supplied with a plastic P or S trap and a top entry flush connection.



- Options**
- Front support legs (Pair)
 - Stainless steel P or S trap
 - Back entry flush
 - Plastic cistern and flushpipe
 - Stainless steel cistern and flushpipe

1 Hopper with Grating

2 Hopper with Drainer (Shown with optional legs)



PRODUCT DESCRIPTION

- Hopper with grating, P trap
- Hopper with grating, S trap
- Hopper with drainer, left hand drainer, P trap
- Hopper with drainer, left hand drainer, S trap

ORDERING CODE

- WGMHP
- WMGHS
- WMSHLP
- WMSHLS

hospital