

# SINGLE STALL AND BOWL URINALS

SDS single stall and bowl urinals are designed for situations where single person facilities are required, and are manufactured from 304 grade stainless steel 1.2mm thick, with a smooth satin polished non reflective surface.

Up to four single stall or bowl urinals can be installed together in ranges and flushed by a single automatic cistern.

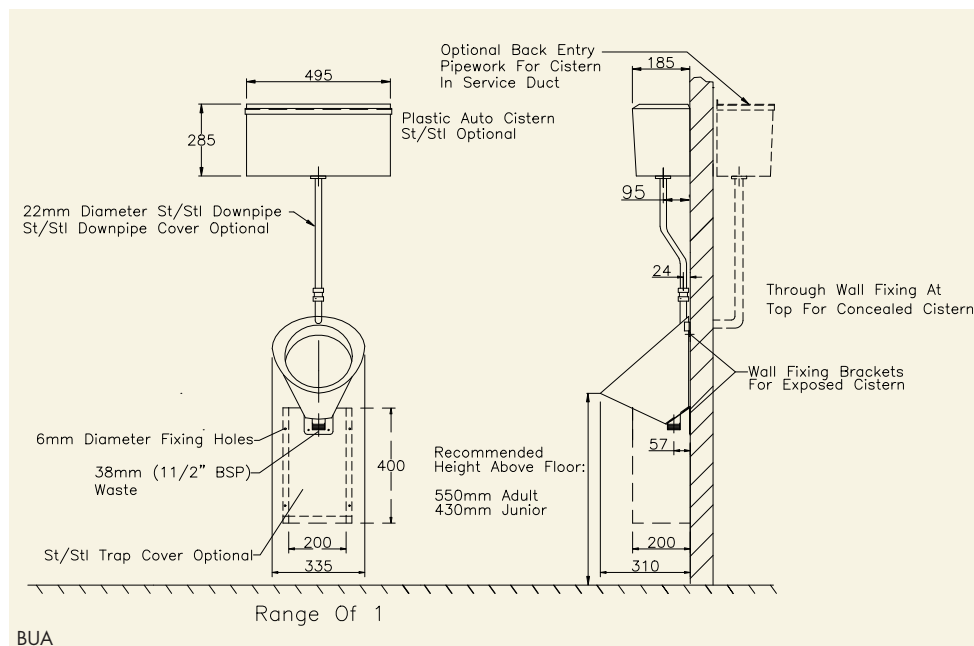
All models are manufactured with a top entry water inlet for connection to an exposed cistern, alternatively a back inlet connection can be provided for concealed cistern applications.

Single stall and bowl urinals are supplied with a plastic automatic flushing cistern, stainless steel connecting pipe work, 38mm (1 1/2" BSP) waste fitting, downpipe clips & stainless steel fixing screws.

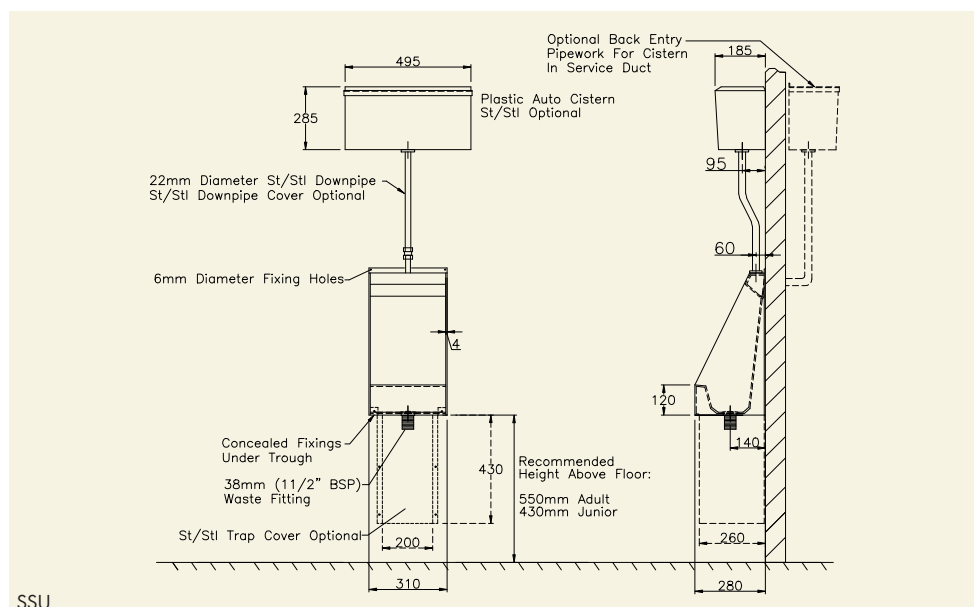


1 SSU Single stall urinal

2 BUA Bowl urinal type A



BUA



SSU

**PRODUCT DESCRIPTION**

**ORDERING CODE**

Range of 1 single stall urinal with top entry inlet and plastic cistern	SSU1
Range of 2 single stall urinals with top entry inlets and plastic cistern	SSU2
Range of 3 single stall urinals with top entry inlets and plastic cistern	SSU3
Range of 4 single stall urinals with top entry inlets and plastic cistern	SSU4
Range of 1 type A bowl urinal with top entry inlet and plastic cistern	BUA1
Range of 2 type A bowl urinals with top entry inlets and plastic cistern	BUA2
Range of 3 type A bowl urinals with top entry inlets and plastic cistern	BUA3
Range of 4 type A bowl urinals with top entry inlets and plastic cistern	BUA4

urinals