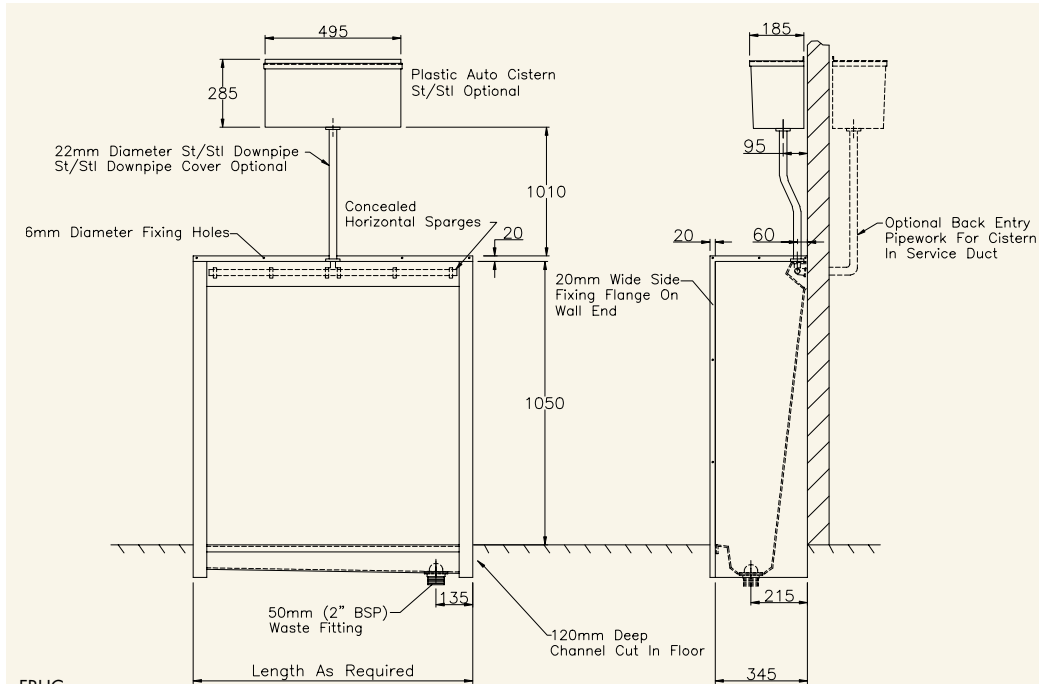


# FLOOR RECESSED URINAL

SDS floor recessed urinals are manufactured as one piece units from 304 grade stainless steel 1.2mm thick, with a smooth satin polished non reflective surface.

The horizontal flushing spargers have a top entry inlet as standard and are supplied concealed within a stainless steel box.

Floor recessed urinals are supplied with wall fixed or free standing ends, a plastic automatic flushing cistern, stainless steel downpipe, 50mm (2" BSP) waste fitting to left or right hand end, downpipe clip & stainless steel fixing screws.

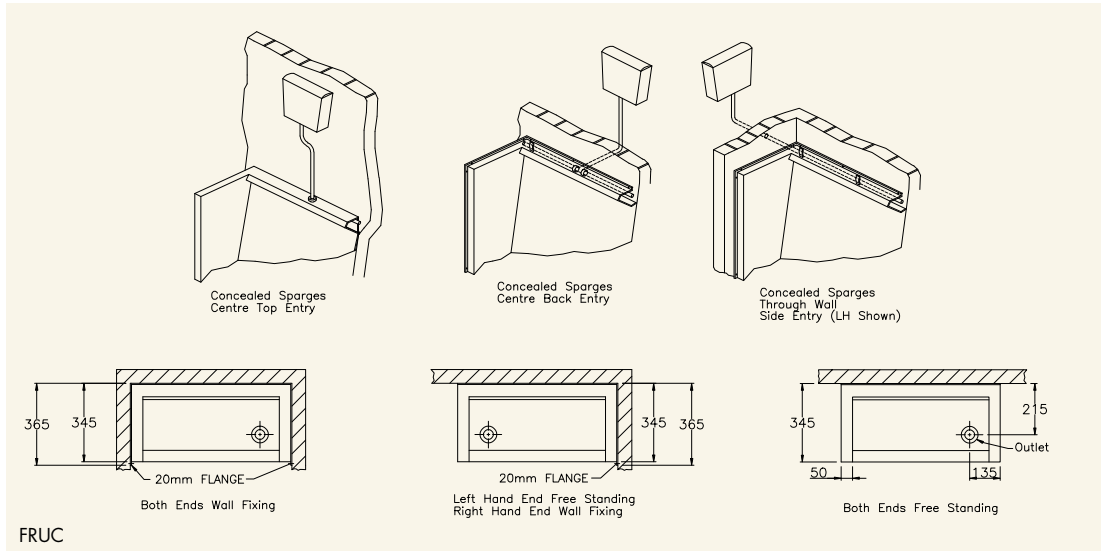


- Options**
- Non standard waste position
  - Back or side entry inlet connection
  - Stainless steel automatic flushing cistern
  - Stainless steel downpipe cover
  - L or U shaped units

**1** FRUC Concealed Sparge floor recessed urinal

**2** Plastic automatic flushing cistern

**3** Optional stainless steel automatic flushing cistern



**PRODUCT DESCRIPTION**

Concealed sparge floor recessed urinal

**ORDERING CODE**

FRUC

**Additional information required for ordering - add length required to the above ordering code followed by the appropriate letters for ends (left hand first) and outlet position**

Overall length of urinal	(In Metric or Imperial)
Wall fixed end	W
Free standing end	F
Left hand outlet	L
Right hand outlet	R

**PRODUCT DESCRIPTION**

To specify a concealed sparge floor recessed urinal 1200mm long with a left hand wall fixed end, a right hand free standing end and a left hand outlet the ordering code would be:

**ORDERING CODE**

FRUC1200WFL

Urinals