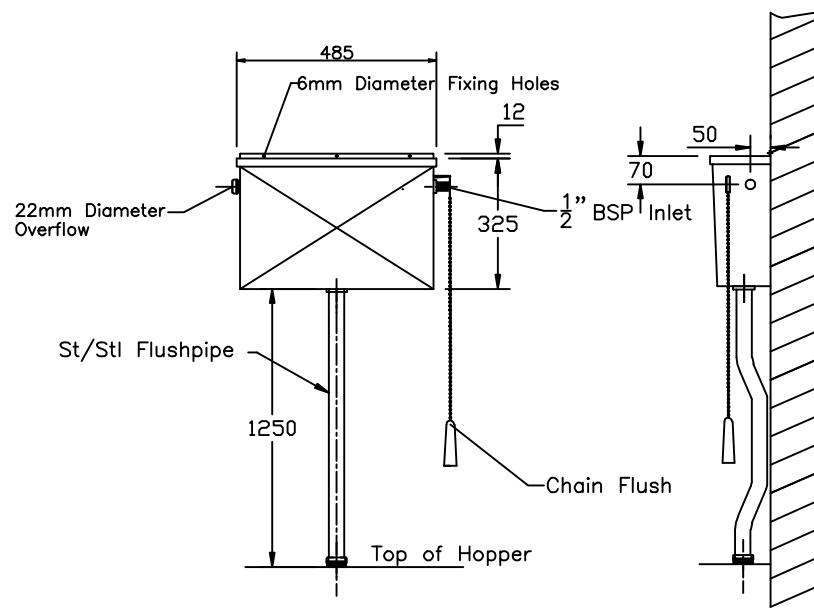
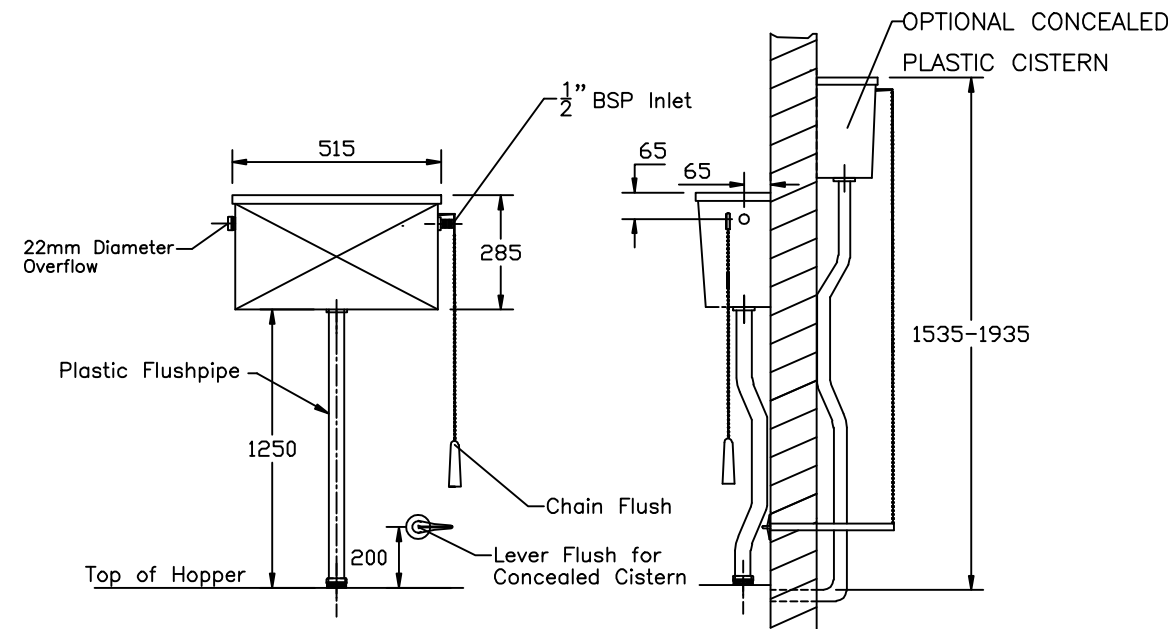


OPTIONAL ST/STL TRAPS



OPTIONAL EXPOSED ST/STL CISTERN



OPTIONAL EXPOSED PLASTIC CISTERN