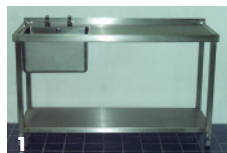


SINGLE BOWL CATERING SINK UNITS WITH FRAMES

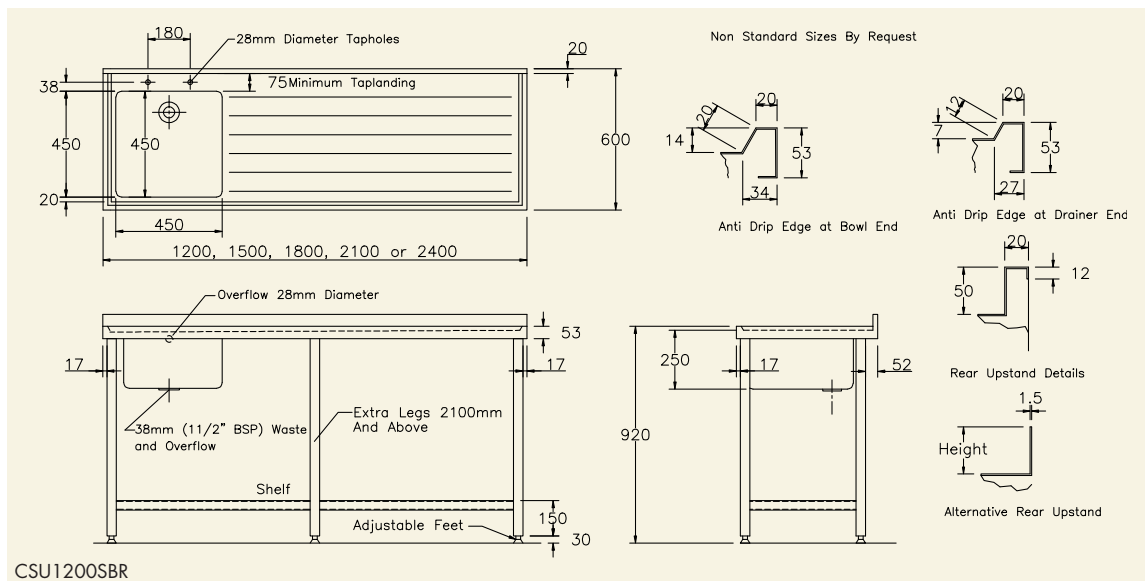
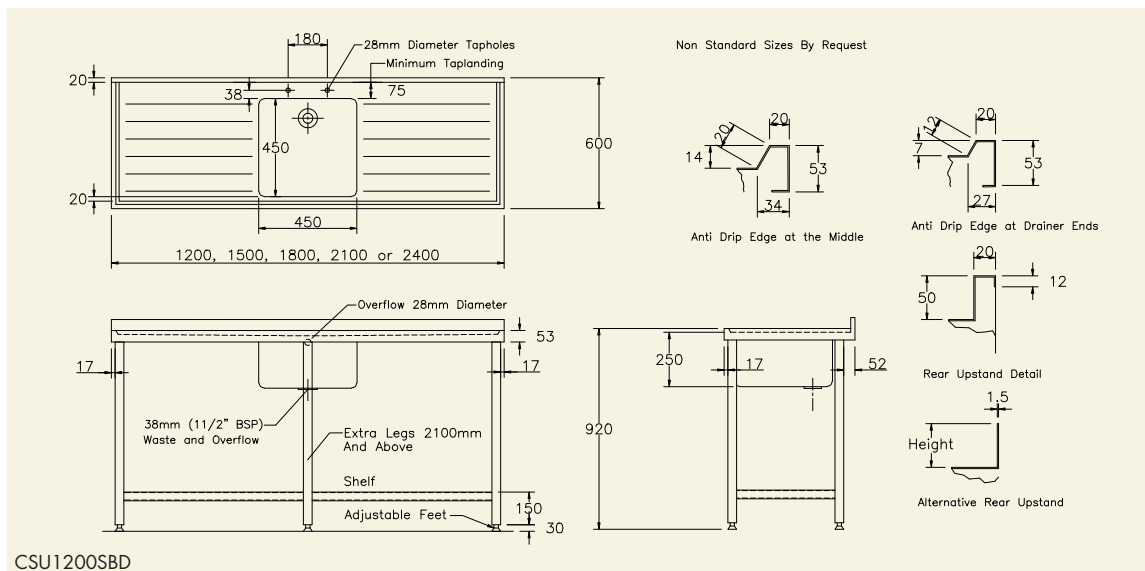
SDS heavy duty catering sink units are manufactured from 1.5mm thick 304 grade stainless steel throughout (optional 316 grade is available for laboratory use).

All standard units are manufactured in one piece and are supplied with 2 tap holes at 180mm centres behind the bowl, a 38mm (1 1/2" BSP) waste/overflow fitting and adjustable feet.



Options

- Special size units
- Strainer waste fitting
- 316 Grade Stainless Steel
- Vulcathene waste fitting



1 Single Bowl Catering Sink Unit with Right Hand Drainer

2 Single Bowl Catering Sink Unit with Left Hand Drainer

3 Single Bowl Catering Sink Unit with Double Drainers

4 Heavy Duty Fabricated Bowl

5/6 Optional Strainer Waste

PRODUCT DESCRIPTION

Catering Sink Units, Bowl Size 450x450x250mm

ORDERING CODE

1200x600mm with single bowl and left hand drainer	CSU1200SBL
1200x600mm with single bowl and right hand drainer	CSU1200SBR
1200x600mm with single bowl and double drainers	CSU1200SBD
1500x600mm with single bowl and left hand drainer	CSU1500SBL
1500x600mm with single bowl and right hand drainer	CSU1500SBR
1500x600mm with single bowl and double drainers	CSU1500SBD
1800x600mm with single bowl and left hand drainer	CSU1800SBL
1800x600mm with single bowl and right hand drainer	CSU1800SBR
1800x600mm with single bowl and double drainers	CSU1800SBD
2100x600mm with single bowl and left hand drainer	CSU2100SBL
2100x600mm with single bowl and right hand drainer	CSU2100SBR
2100x600mm with single bowl and double drainers	CSU2100SBD
2400x600mm with single bowl and left hand drainer	CSU2400SBL
2400x600mm with single bowl and right hand drainer	CSU2400SBR
2400x600mm with single bowl and double drainers	CSU2400SBD