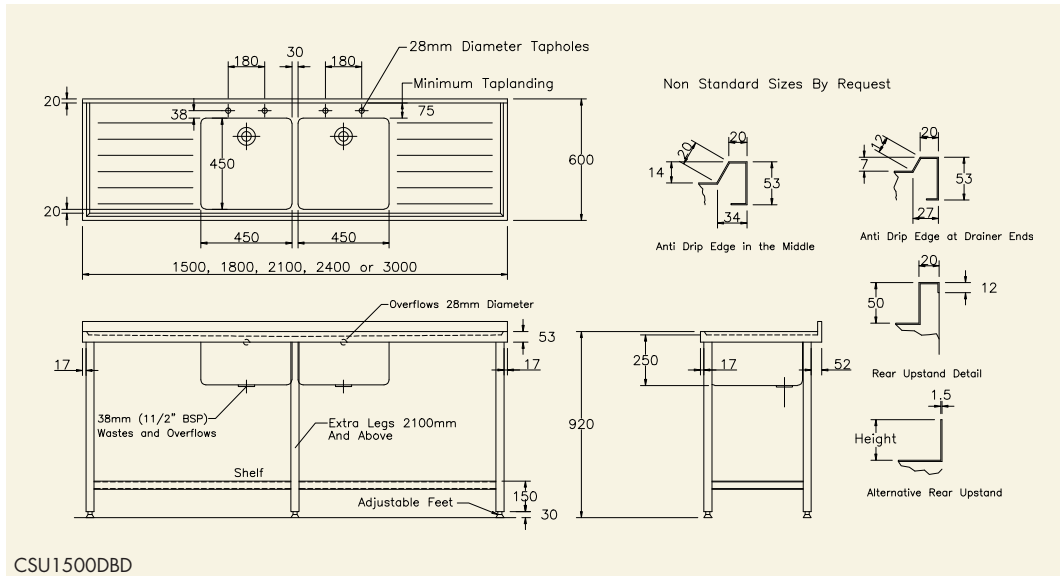


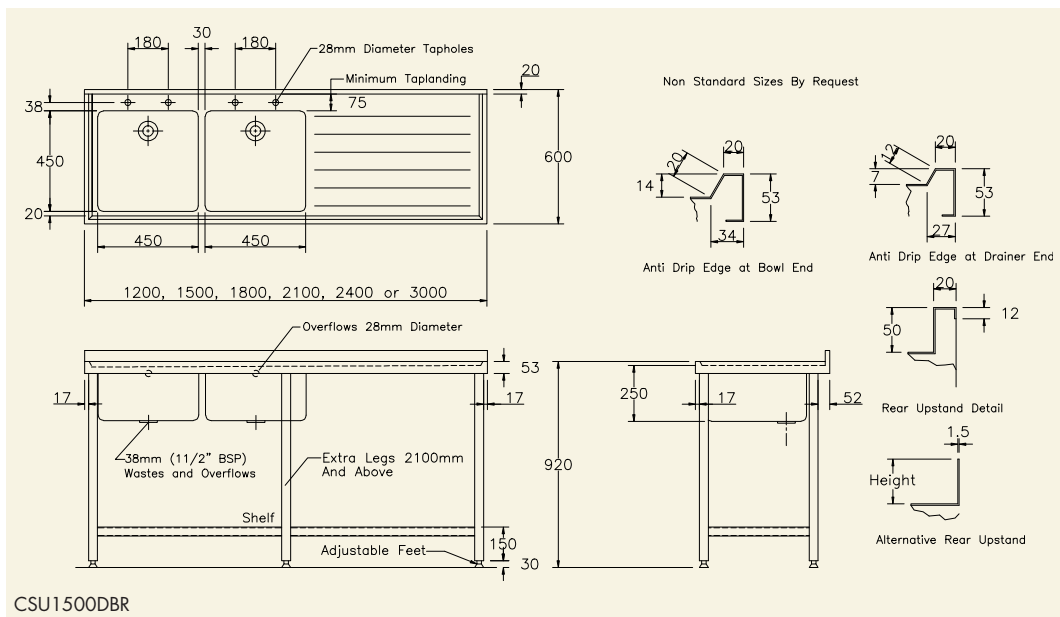
# DOUBLE BOWL CATERING SINK UNITS WITH FRAMES

SDS heavy duty catering sink units are manufactured from 1.5mm thick 304 grade stainless steel throughout (optional 316 grade is available for laboratory use).

All standard units are manufactured in one piece with no on site assembly required, and are supplied with 2 tap holes at 180mm centres behind each bowl, 38mm (1 1/2" BSP) waste/overflow fittings and adjustable feet.



CSU1500DBD



CSU1500DBR

## PRODUCT DESCRIPTION

### Catering Sink Units, Bowl Size 450x450x250mm

- 1500x600mm with double bowls and left hand drainer
- 1500x600mm with double bowls and right hand drainer
- 1500x600mm with double bowls and double drainers
- 1800x600mm with double bowls and left hand drainer
- 1800x600mm with double bowls and right hand drainer
- 1800x600mm with double bowls and double drainers
- 2100x600mm with double bowls and left hand drainer
- 2100x600mm with double bowls and right hand drainer
- 2100x600mm with double bowls and double drainers
- 2400x600mm with double bowls and left hand drainer
- 2400x600mm with double bowls and right hand drainer
- 2400x600mm with double bowls and double drainers
- 3000x600mm with double bowls and left hand drainer
- 3000x600mm with double bowls and right hand drainer
- 3000x600mm with double bowls and double drainers

### ORDERING CODE

- CSU1500DBL
- CSU1500DBR
- CSU1500DBD
- CSU1800DBL
- CSU1800DBR
- CSU1800DBD
- CSU2100DBL
- CSU2100DBR
- CSU2100DBD
- CSU2400DBL
- CSU2400DBR
- CSU2400DBD
- CSU3000DBL
- CSU3000DBR
- CSU3000DBD

### Options

- Special size units
- Strainer waste fitting
- 316 Grade Stainless Steel
- Vulcathene waste fitting

1 Double Bowl Catering Sink Unit with Right Hand Drainer

2 Double Bowl Catering Sink Unit with Double Drainers