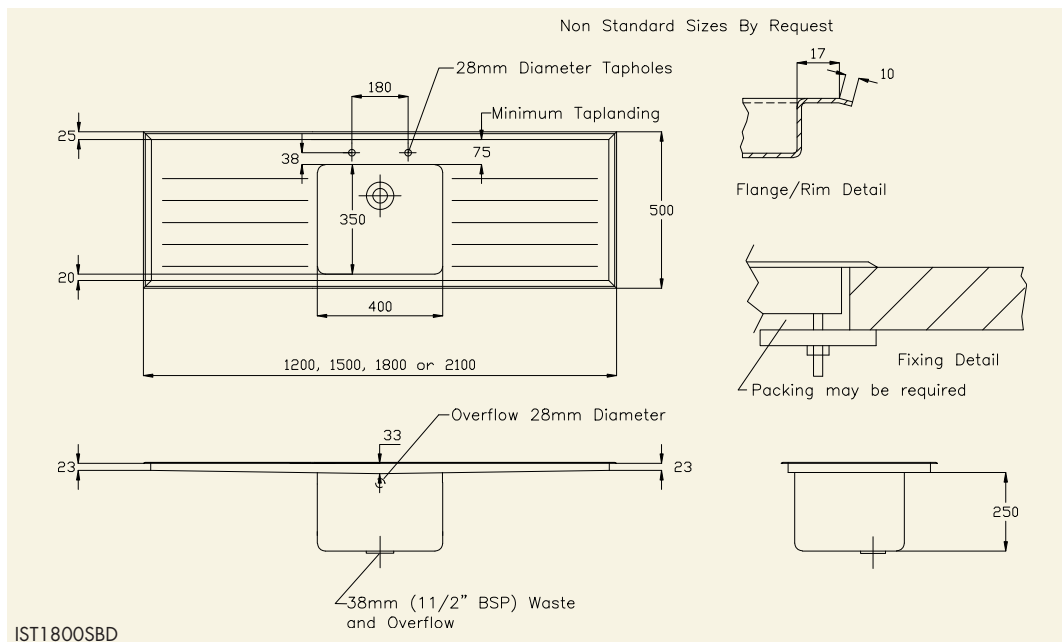
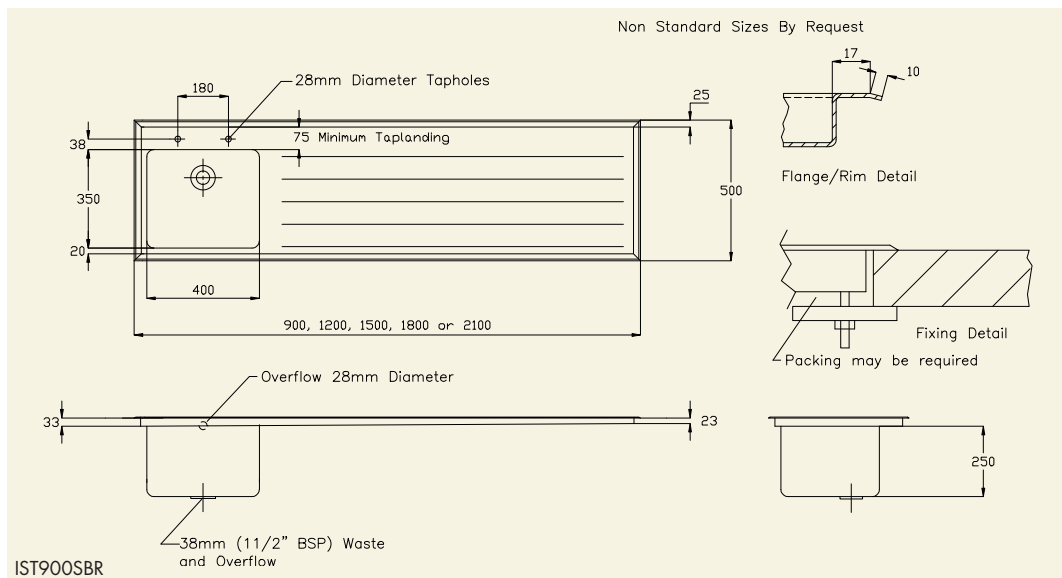


SINGLE BOWL INSET SINK TOPS

SDS heavy duty inset sink tops are manufactured from 1.5mm thick 304 grade stainless steel throughout (optional 316 grade is available for laboratory use).

All standard units are manufactured in one piece with no on site assembly required, and are supplied with 2 tap holes at 180mm centres behind each bowl, 38mm (1 1/2" BSP) waste/overflow fittings and fixing clips.



- Options**
- Special size units
 - Strainer waste fitting
 - 316 Grade Stainless Steel
 - Vulcathene waste fitting

- 1** Single Bowl Inset Sink Top with Left Hand Drainer
- 2** Single Bowl Inset Sink Top with Double Drainers
- 3** Single Bowl Inset Sink Top with Right Hand Drainer (Vulcathene waste and overflow illustrated)

PRODUCT DESCRIPTION

Inset Sink Tops, Bowl Size 400x350x250mm

ORDERING CODE

900x500mm with single bowl and left hand drainer	IST900SBL
900x500mm with single bowl and right hand drainer	IST900SBR
1200x500mm with single bowl and left hand drainer	IST1200SBL
1200x500mm with single bowl and right hand drainer	IST1200SBR
1500x500mm with single bowl and left hand drainer	IST1500SBL
1500x500mm with single bowl and right hand drainer	IST1500SBR
1500x500mm with single bowl and double drainers	IST1500SBD
1800x500mm with single bowl and left hand drainer	IST1800SBL
1800x500mm with single bowl and right hand drainer	IST1800SBR
1800x500mm with single bowl and double drainers	IST1800SBD
2100x500mm with single bowl and left hand drainer	IST2100SBL
2100x500mm with single bowl and right hand drainer	IST2100SBR
2100x500mm with single bowl and double drainers	IST2100SBD