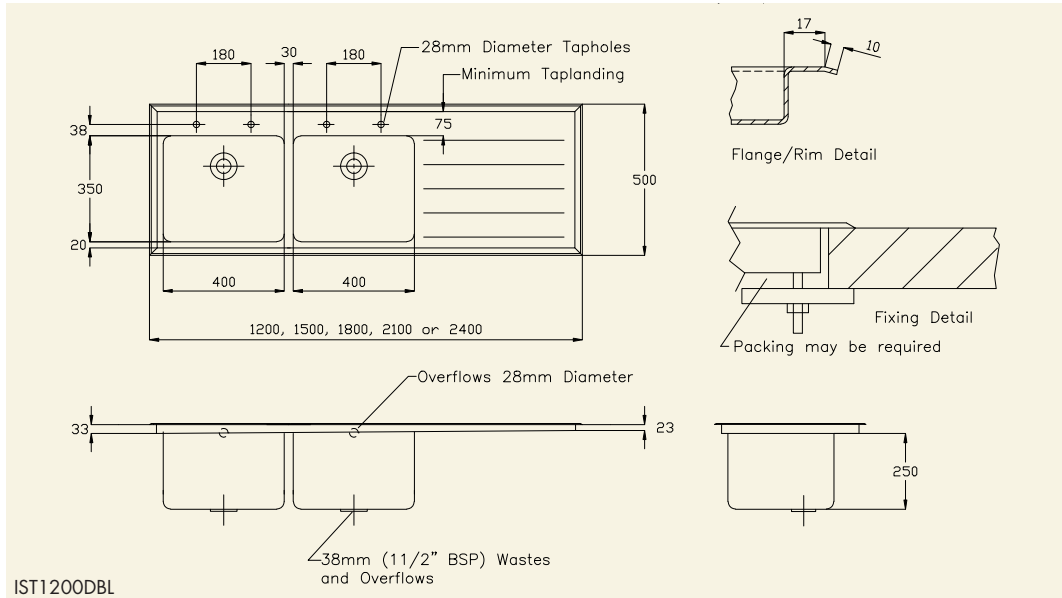


DOUBLE BOWL INSET SINK TOPS

SDS heavy duty inset sink tops are manufactured from 1.5mm thick 304 grade stainless steel throughout (optional 316 grade is available for laboratory use).

All standard units are manufactured in one piece with no on site assembly required, and are supplied with 2 tap holes at 180mm centres behind each bowl, 38mm (1 1/2" BSP) waste/overflow fittings and fixing clips.

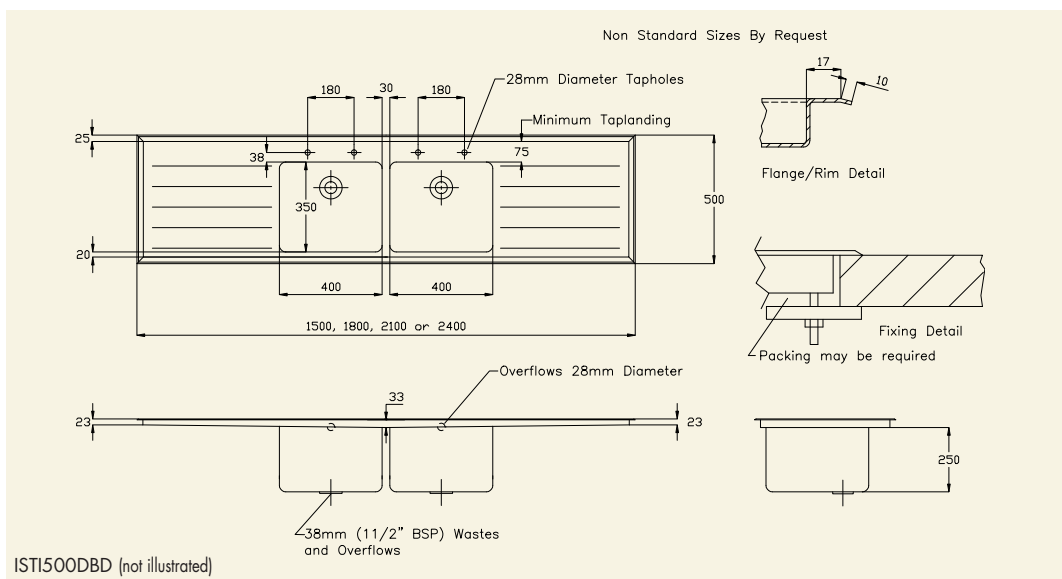


Options

- Special size units
- Strainer waste fitting
- 316 Grade Stainless Steel
- Vulcathene waste fitting

1 Double Bowl Inset Sink Top with Right Hand Drainer

2 Double Bowl Inset Sink Top with Right Hand Drainer



PRODUCT DESCRIPTION

Inset Sink Tops, Bowl Size 400x350x250mm

| | ORDERING CODE |
|---|---------------|
| 1200x500mm with double bowls and left hand drainer | IST1200DBL |
| 1200x500mm with double bowls and right hand drainer | IST1200DBR |
| 1500x500mm with double bowls and left hand drainer | IST1500DBL |
| 1500x500mm with double bowls and right hand drainer | IST1500DBR |
| 1500x500mm with double bowls and double drainers | IST1500DBD |
| 1800x500mm with double bowls and left hand drainer | IST1800DBL |
| 1800x500mm with double bowls and right hand drainer | IST1800DBR |
| 1800x500mm with double bowls and double drainers | IST1800DBD |
| 2100x500mm with double bowls and left hand drainer | IST2100DBL |
| 2100x500mm with double bowls and right hand drainer | IST2100DBR |
| 2100x500mm with double bowls and double drainers | IST2100DBD |
| 2400x500mm with double bowls and left hand drainer | IST2400DBL |
| 2400x500mm with double bowls and right hand drainer | IST2400DBR |
| 2400x500mm with double bowls and double drainers | IST2400DBD |