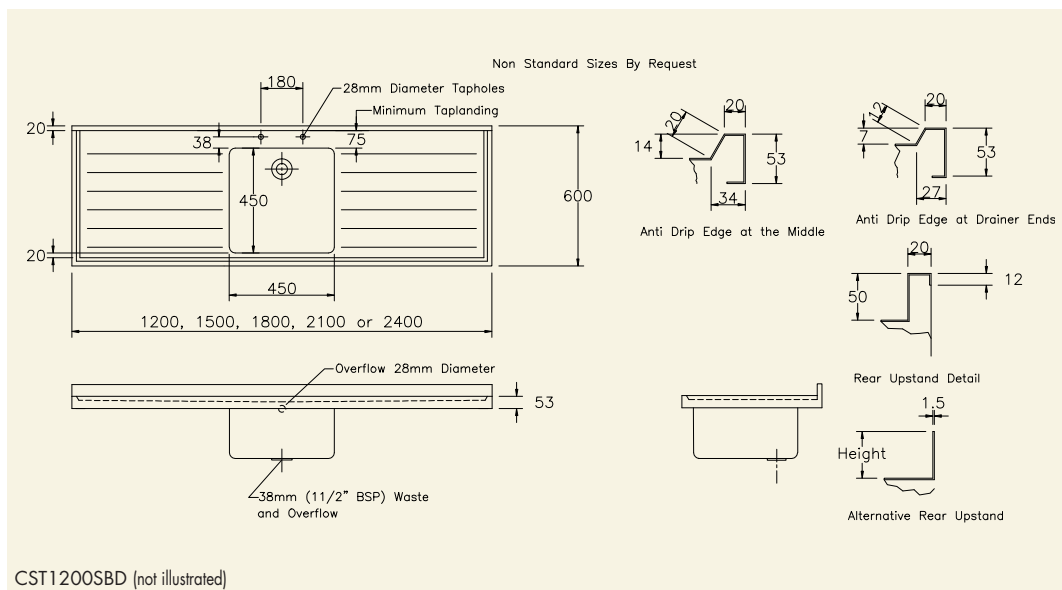
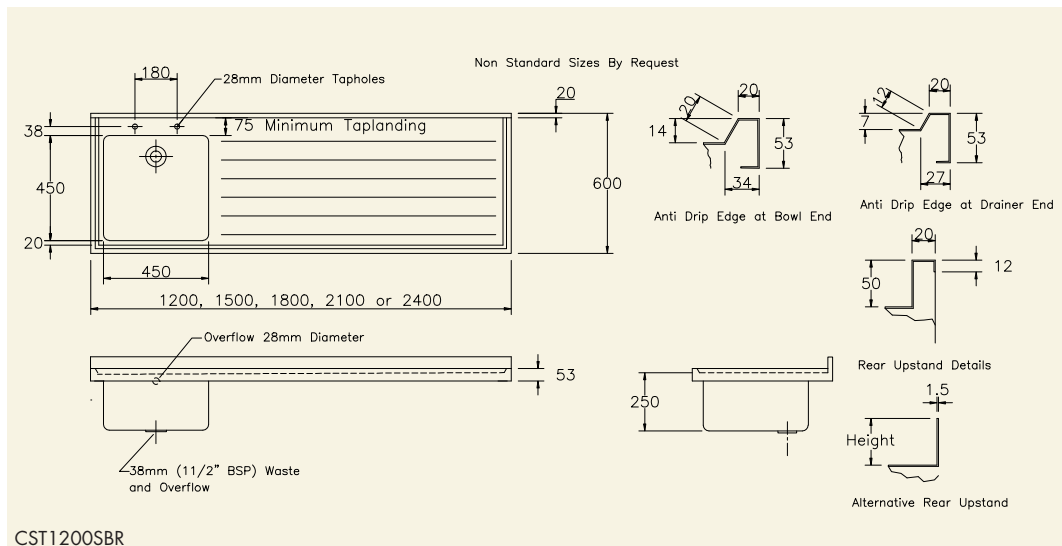


SINGLE BOWL SIT ON SINK TOPS

SDS heavy duty sit on sink tops are manufactured from 1.5mm thick 304 grade stainless steel throughout (optional 316 grade is available for laboratory use).

All standard units are manufactured in one piece with no on site assembly required, and are supplied with 2 tap holes at 180mm centres behind each bowl and 38mm (1 1/2" BSP) waste/overflow fittings



Options

- Special size units
- Strainer waste fitting
- 316 Grade Stainless Steel
- Vulcathene waste fitting

1 Single Bowl Sit on Sink Top with Left Hand Drainer

2 Heavy Duty Fabricated Bowl

3 Rear Upstand Detail

PRODUCT DESCRIPTION

Sit On Sink Tops, Bowl Size 450x450x250mm

	ORDERING CODE
1200x600mm with single bowl and left hand drainer	CST1200SBL
1200x600mm with single bowl and right hand drainer	CST1200SBR
1200x600mm with single bowl and double drainers	CST1200SBD
1500x600mm with single bowl and left hand drainer	CST1500SBL
1500x600mm with single bowl and right hand drainer	CST1500SBR
1500x600mm with single bowl and double drainers	CST1500SBD
1800x600mm with single bowl and left hand drainer	CST1800SBL
1800x600mm with single bowl and right hand drainer	CST1800SBR
1800x600mm with single bowl and double drainers	CST1800SBD
2100x600mm with single bowl and left hand drainer	CST2100SBL
2100x600mm with single bowl and right hand drainer	CST2100SBR
2100x600mm with single bowl and double drainers	CST2100SBD
2400x600mm with single bowl and left hand drainer	CST2400SBL
2400x600mm with single bowl and right hand drainer	CST2400SBR
2400x600mm with single bowl and double drainers	CST2400SBD