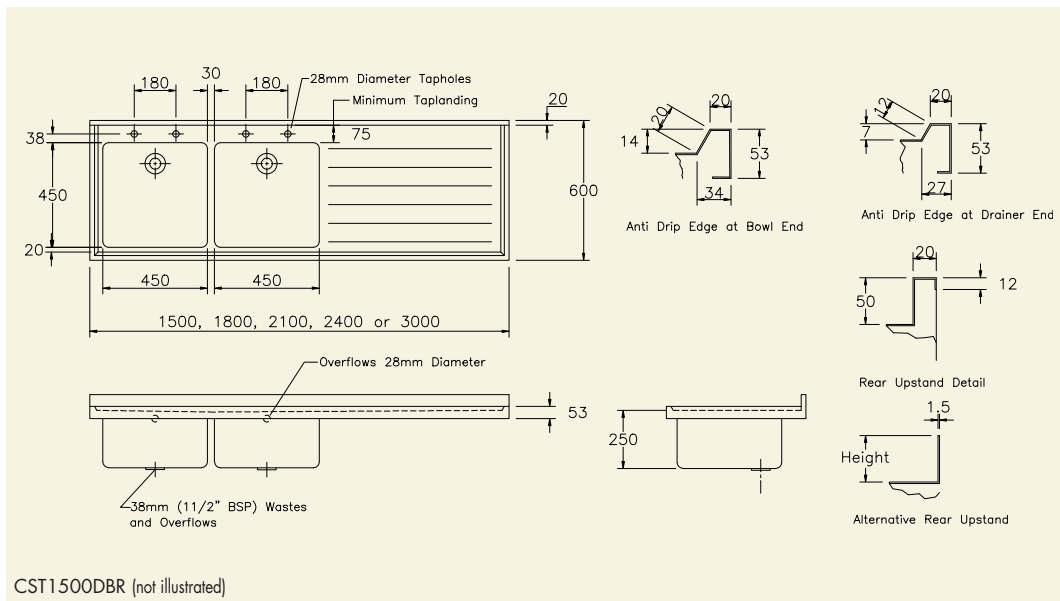
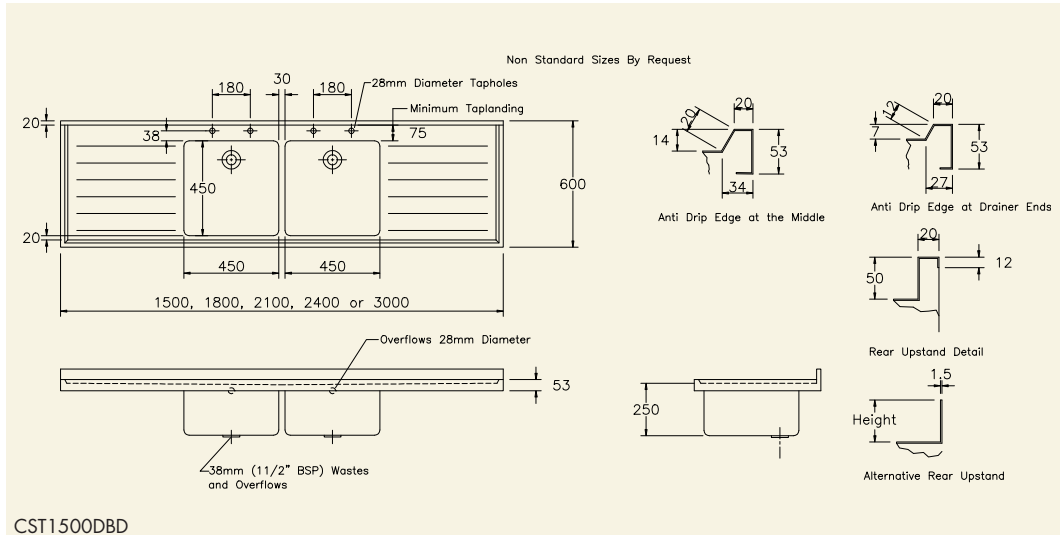


DOUBLE BOWL SIT ON SINK TOPS

SDS heavy duty sit on sink tops are manufactured from 1.5mm thick 304 grade stainless steel throughout (optional 316 grade is available for laboratory use).

All standard units are manufactured in one piece with no on site assembly required, and are supplied with 2 tap holes at 180mm centres behind each bowl and 38mm (1 1/2" BSP) waste/overflow fittings



Options

- Special size units
- Strainer waste fitting
- 316 Grade Stainless Steel
- Vulcathene waste fitting

1 Double Bowl Sit on Sink Top with Double Drainers

2 Double Bowl Sit on Sink Top with Double Drainers

3 Heavy Duty Fabricated Bowls

4 Ribbed Drainer

PRODUCT DESCRIPTION

Sit On Sink Tops, Bowl Size 450x450x250mm

- 1500x600mm with double bowls and left hand drainer
- 1500x600mm with double bowls and right hand drainer
- 1500x600mm with double bowls and double drainers
- 1800x600mm with double bowls and left hand drainer
- 1800x600mm with double bowls and right hand drainer
- 1800x600mm with double bowls and double drainers
- 2100x600mm with double bowls and left hand drainer
- 2100x600mm with double bowls and right hand drainer
- 2100x600mm with double bowls and double drainers
- 2400x600mm with double bowls and left hand drainer
- 2400x600mm with double bowls and right hand drainer
- 2400x600mm with double bowls and double drainers
- 3000x600mm with double bowls and left hand drainer
- 3000x600mm with double bowls and right hand drainer
- 3000x600mm with double bowls and double drainers

ORDERING CODE

- CST1500DBL
- CST1500DBR
- CST1500DBD
- CST1800DBL
- CST1800DBR
- CST1800DBD
- CST2100DBL
- CST2100DBR
- CST2100DBD
- CST2400DBL
- CST2400DBR
- CST2400DBD
- CST3000DBL
- CST3000DBR
- CST3000DBD