

SPECIAL SIZE SELF RIMMING BOWLS

Made to measure self rimming bowls are fabricated from 1.5mm 304 grade stainless steel (or 316 grade for laboratory equipment) and are only suitable for heavy duty commercial applications, each has a 25mm radius to all internal corners.

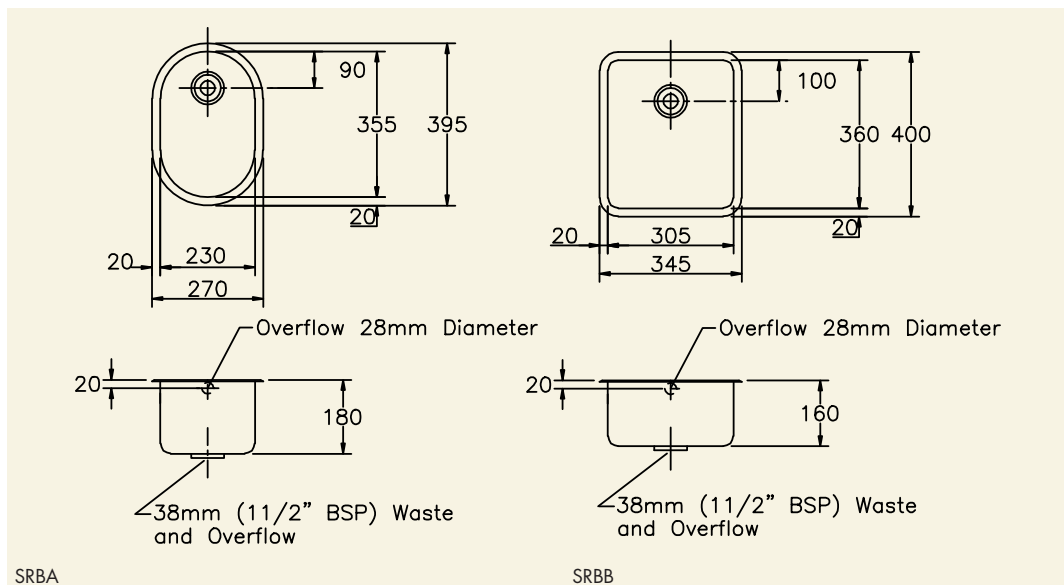
Any size required can be manufactured and each is supplied with a 38mm (1 1/2" BSP) waste/overflow fitting and fixing clips.



STANDARD SIZE SELF RIMMING BOWLS

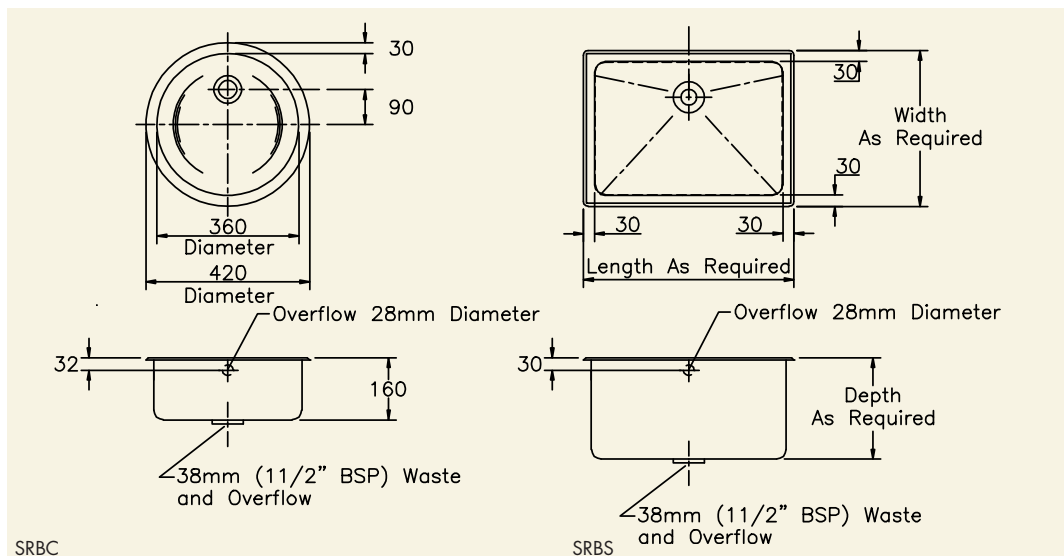
Standard self rimming bowls are pressed from 304 grade stainless steel and are suitable for commercial or domestic installations.

3 sizes are available and each is supplied complete with a 38mm (1 1/2" BSP) waste/overflow fitting and fixing clips.



SRBA

SRBB



SRBC

SRBS

- Options**
- 316 grade Stainless Steel
 - Strainer waste fittings
 - Vulcathene waste fittings

1/3 Special Size Self Rimming Bowls SRBS

4 SRBA 5 SRBB 6 SRBC

PRODUCT DESCRIPTION

- Self rimming bowl special size (add length, width and depth to code)
- Self rimming bowl A 270x395x180mm
- Self rimming bowl B 345x400x180mm
- Self rimming bowl type C 420mm diameter x 160mm deep

ORDERING CODE

- SRBS
- SRBA
- SRBB
- SRBC

catering