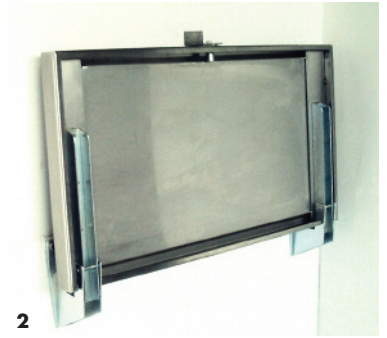
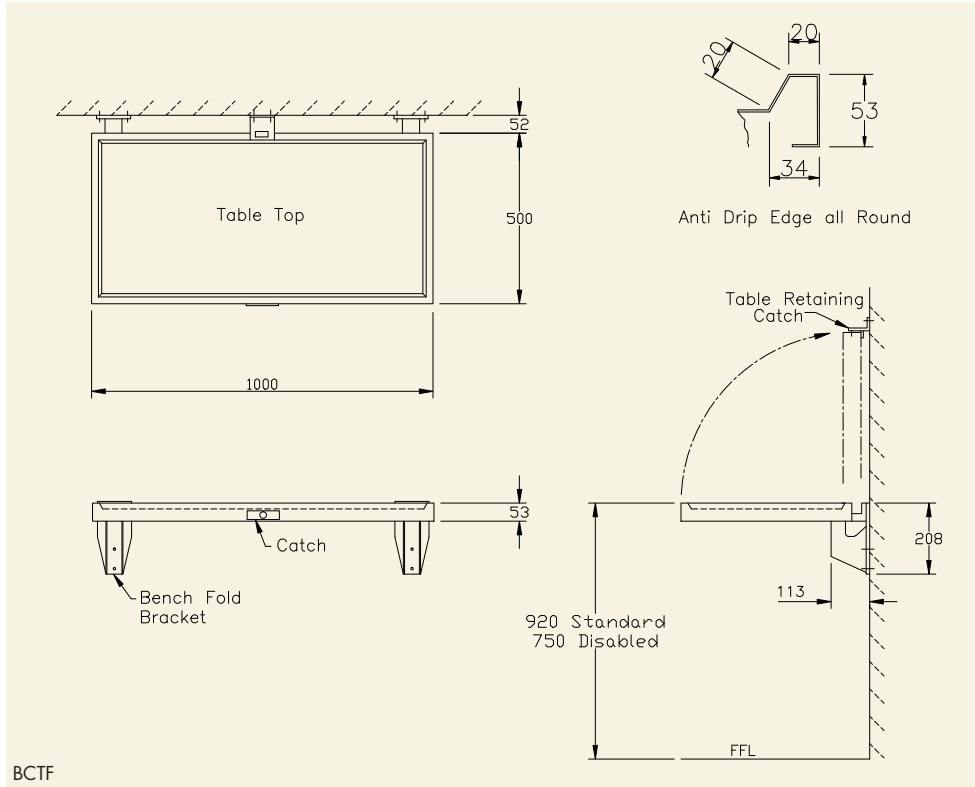
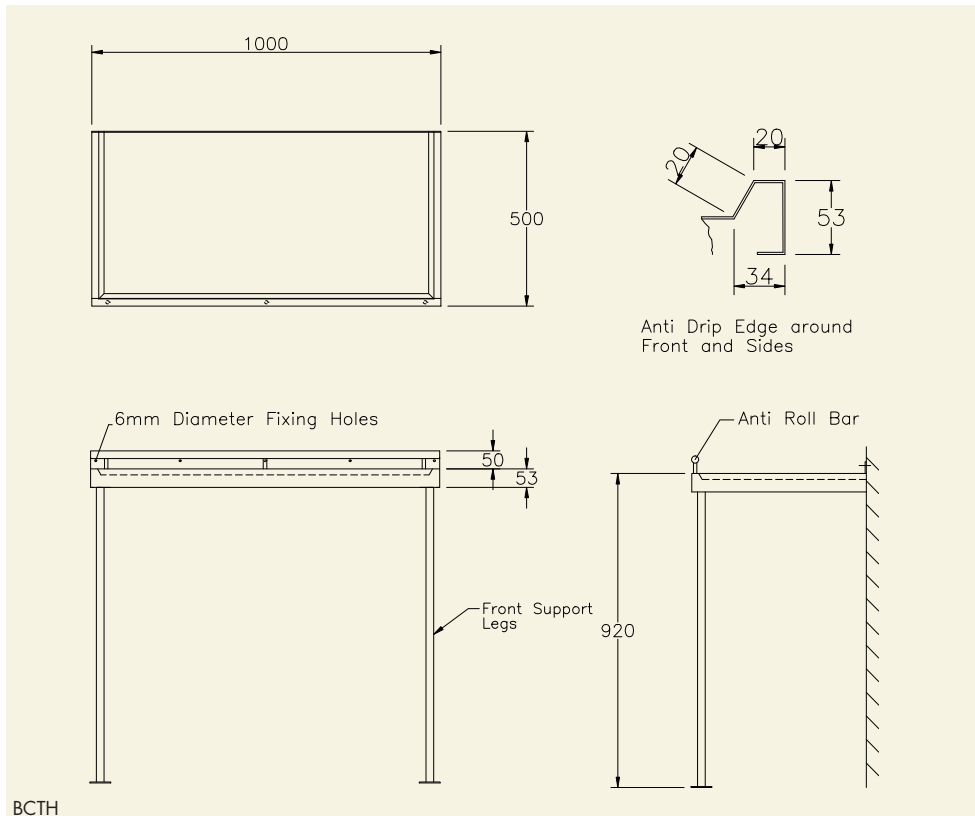


### BABY CHANGING TABLES

Baby changing tables are available either as a fixed unit with front support legs, or a folding version with heavy duty hinged brackets and a wall mounted roller catch. Dimensions: 1000mm x 500mm



1 Fixed Baby Changing Table (BCTH)  
 2 Folding Baby Changing Table (BCTF)  
 3 Folding Baby Changing Table



**PRODUCT DESCRIPTION**

Folding baby changing table  
 Fixed baby changing table

**ORDERING CODE**

BCTF  
 BCTH