

## WALL MOUNTED DRINKING FOUNTAINS

Round and Square wall mounted drinking fountains incorporate integral fixing brackets and are supplied with chrome plated push button bubbler tap and a 32mm (1 1/4" BSP) waste fitting.



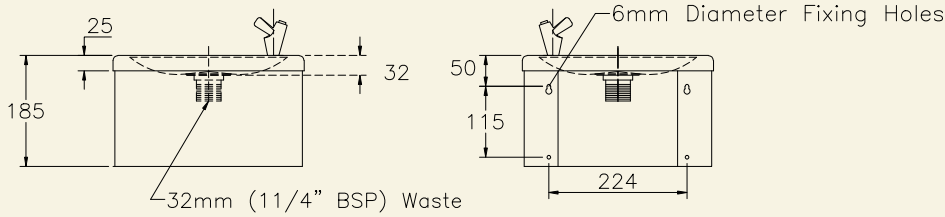
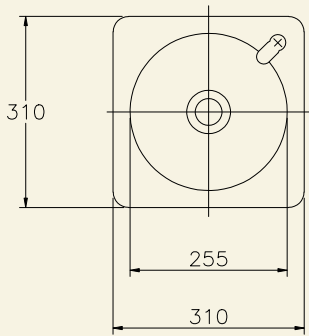
1



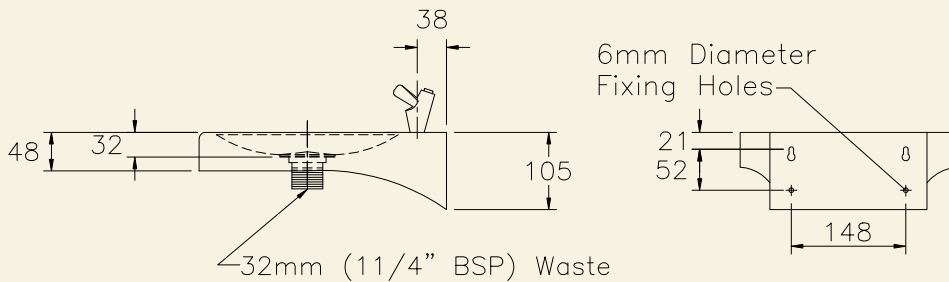
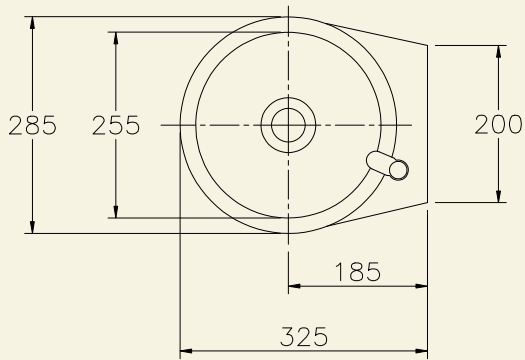
2

1 Square Drinking Fountain (SSDFS)

2 Round Drinking Fountain (SSDFR)



SSDFS



SSDFR

### PRODUCT DESCRIPTION

Square wall mounted drinking fountain  
Round wall mounted drinking fountain

### ORDERING CODE

SSDFS  
SSDFR

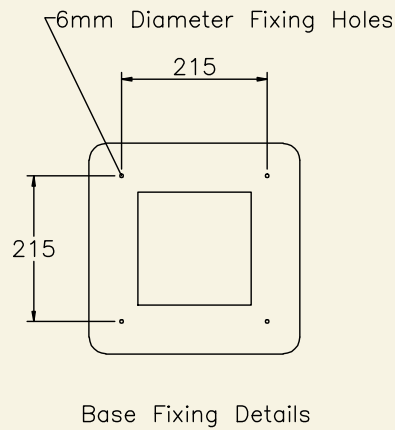
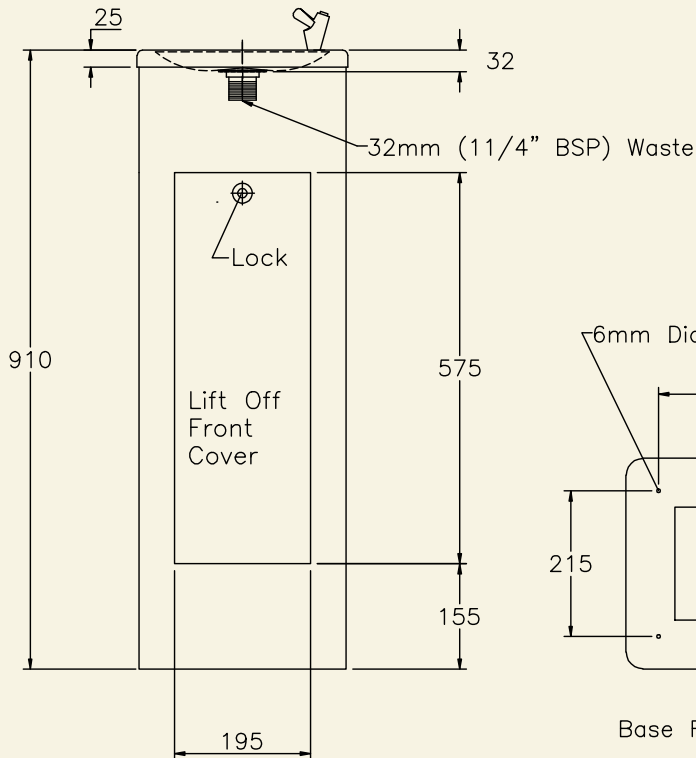
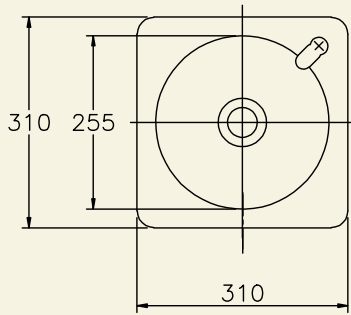
fountains

## PEDESTAL DRINKING FOUNTAIN

A floor standing drinking fountain designed for service entry from below, incorporating a lockable door and supplied with chrome plated push button bubbler tap and a 32mm (1 1/4" BSP) waste fitting.



1 Pedestal Drinking Fountain (SSDFP)



SSDFP

### PRODUCT DESCRIPTION

Pedestal floor standing drinking fountain

### ORDERING CODE

SSDFP

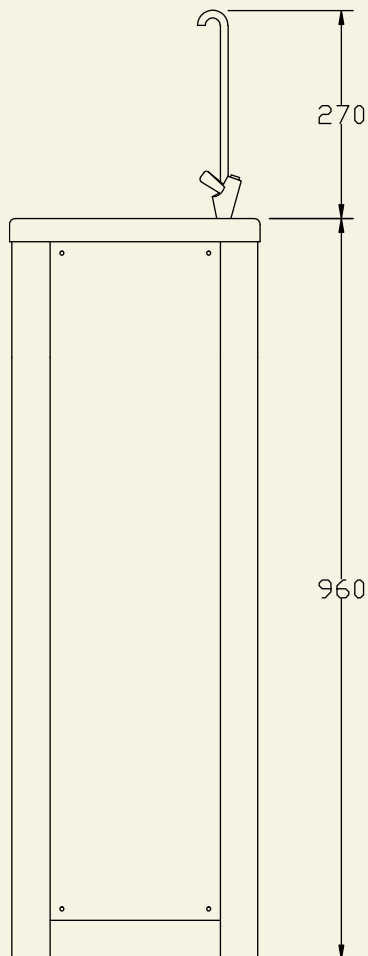
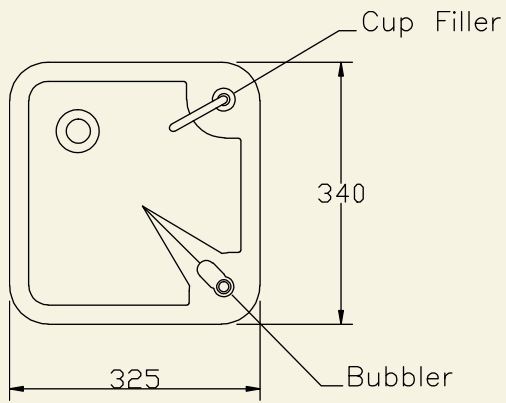
## DRINKING WATER COOLER

A floor standing drinking water cooler designed for connection to mains water supply, drainage and electricity, the fountain is capable of dispensing 25 litres of water per hour.

Supplied with chrome plated push button bubbler tap, cup/bottle filler and carbon block filter.



1



CDF



2

1/2 Drinking Water Cooler (CDF)

**PRODUCT DESCRIPTION**

Drinking water cooler with cup filler and bubbler

**ORDERING CODE**

CDF