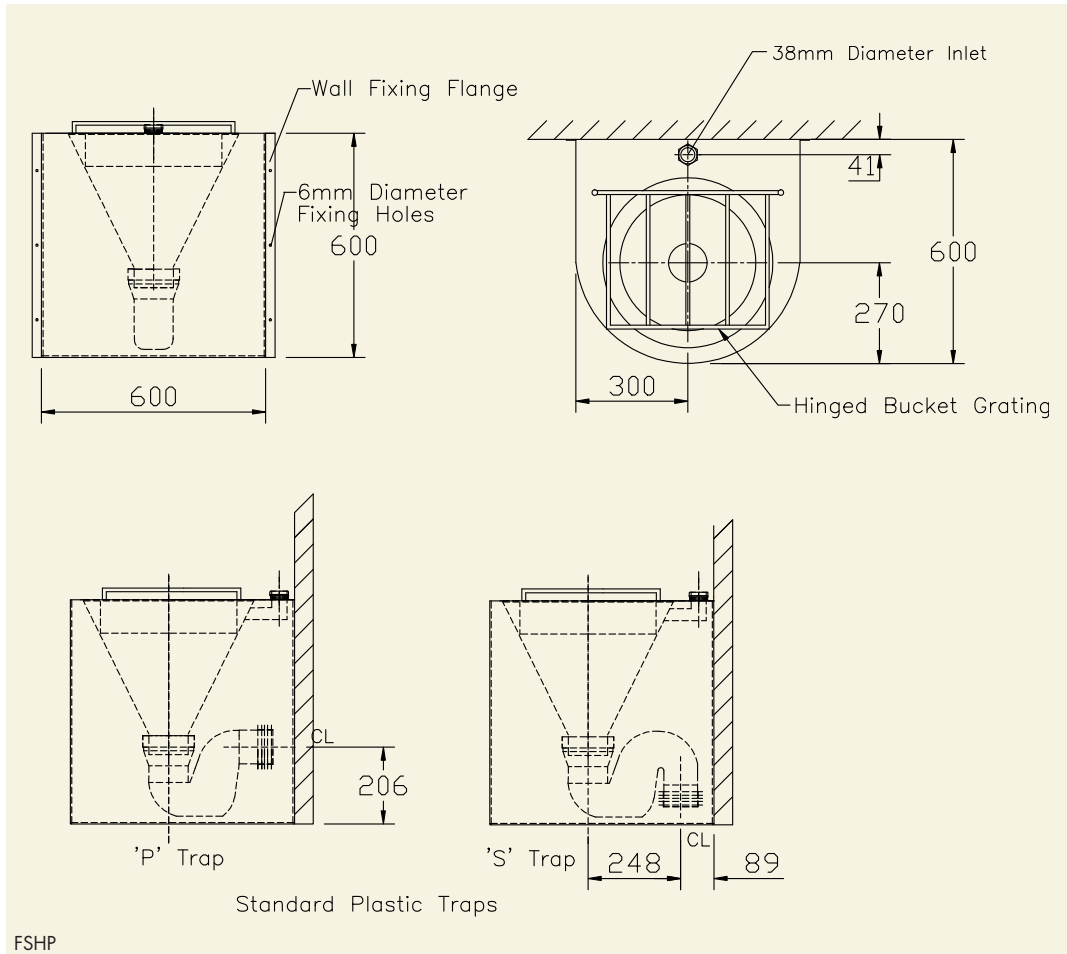


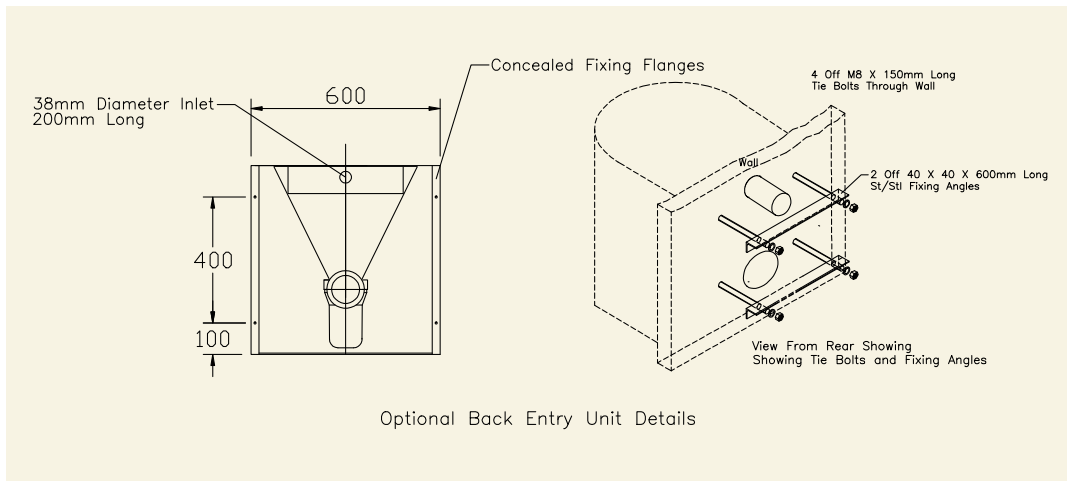
FLOOR STANDING HOPPER

The SDS floor standing hopper is manufactured from 304 grade stainless steel and incorporates integral wall fixing flanges and a hinged bucket grating. It is supplied with a plastic P or S trap, and a top entry flush connection.



- Options**
- Stainless steel P or S trap
 - Back entry flush and concealed fixings (accessible from service duct)
 - Plastic cistern and flushpipe
 - Stainless steel cistern and flushpipe

1 Floor Standing Hopper



Optional Back Entry Unit Details

PRODUCT DESCRIPTION

- Floor standing hopper, P trap
- Floor standing hopper, S trap

ORDERING CODE

- FSHP
- FSHS

hospital