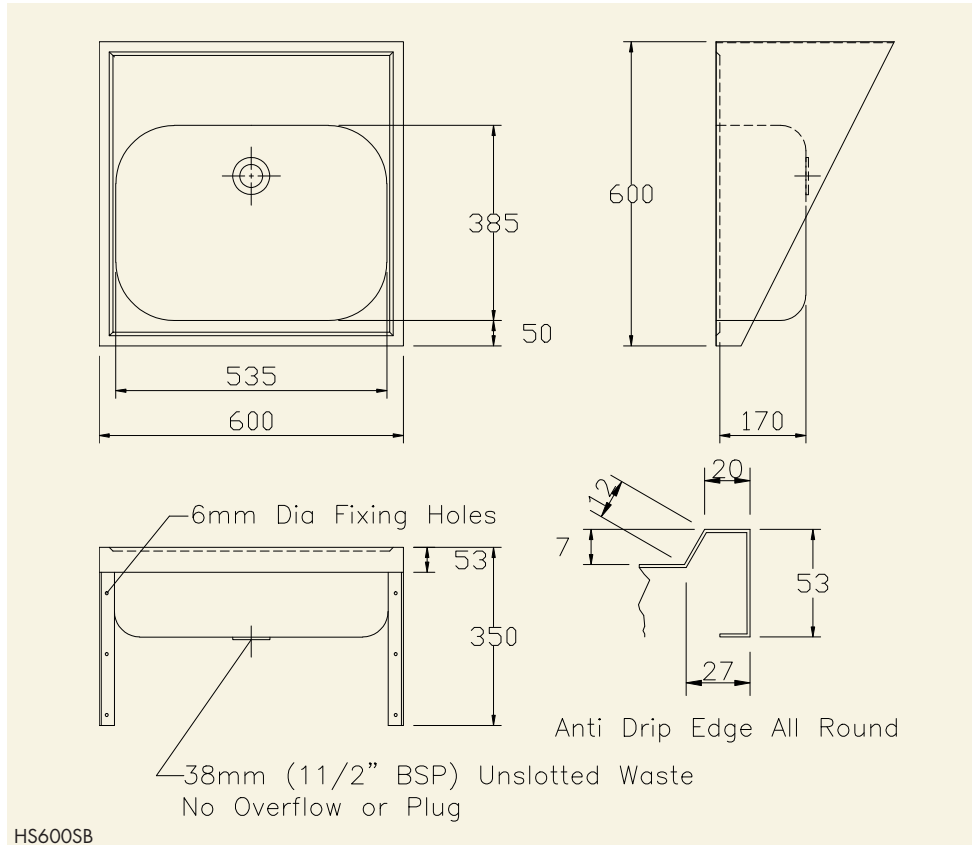


HOSPITAL SINKS

Hospital sinks are manufactured from 304 grade stainless steel and feature integral wall fixing brackets, an unslotted 38mm waste fitting (without overflow, plug, or chain) and no tap holes.

The units without drainers have a pressed bowl 535x385x170mm, the units with drainers have a fabricated bowl 500x400x200mm.

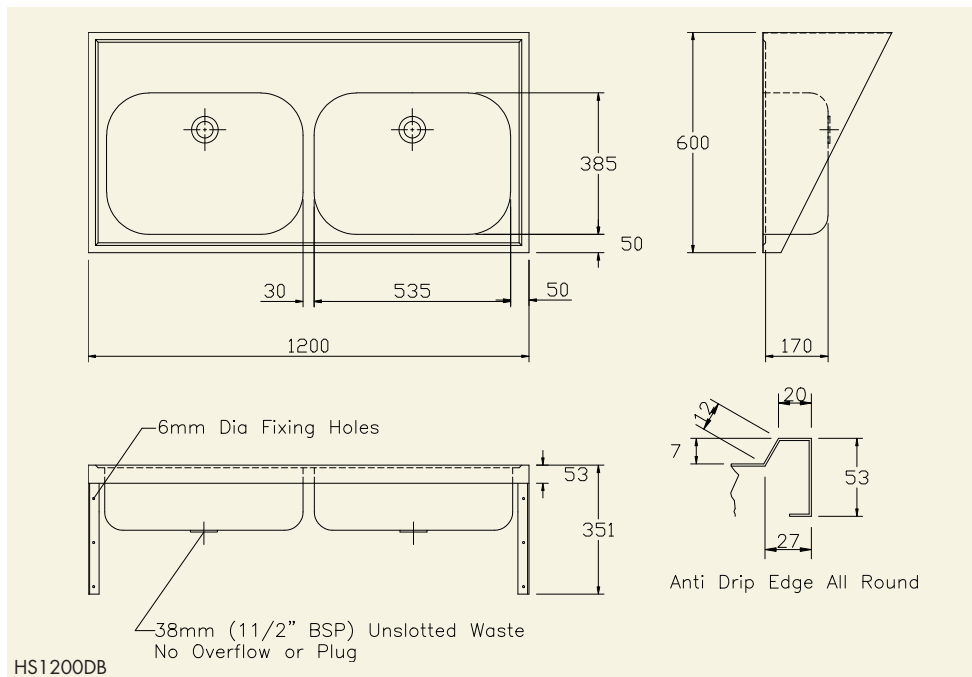


HS600SB

- Options**
- Tap holes
 - Plug, chain and stay
 - 38mm waste with overflow
 - Front support legs
 - Special size units

1 Single Bowl Hospital Sink

2 Double Bowl Hospital Sink



HS1200DB

PRODUCT DESCRIPTION

- 600x600mm hospital sink with single bowl
- 1200x600mm hospital sink with double bowls

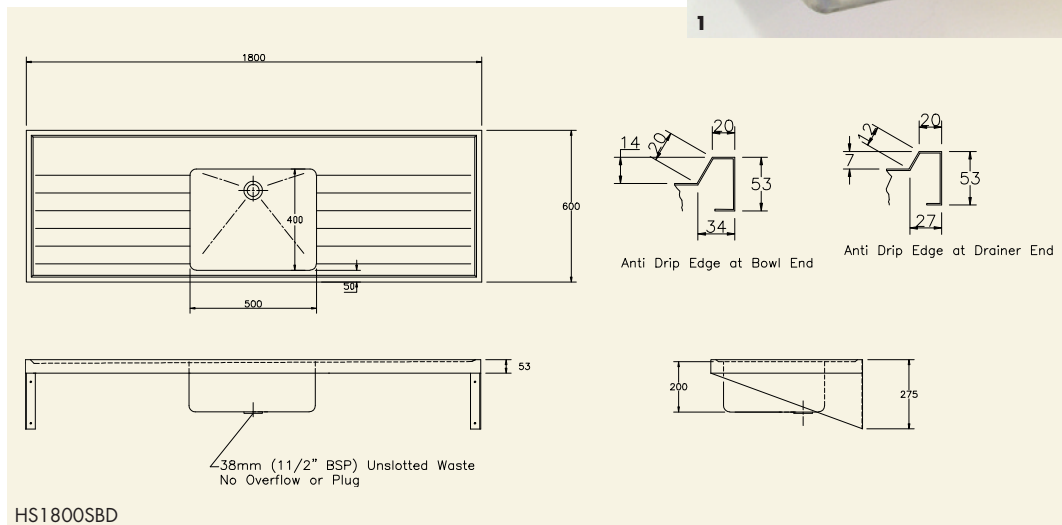
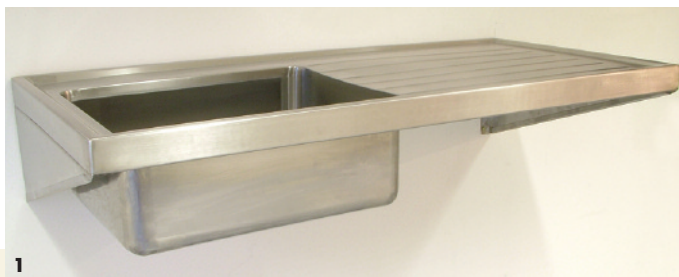
ORDERING CODE

- HS600SB
- HS1200DB

hospital

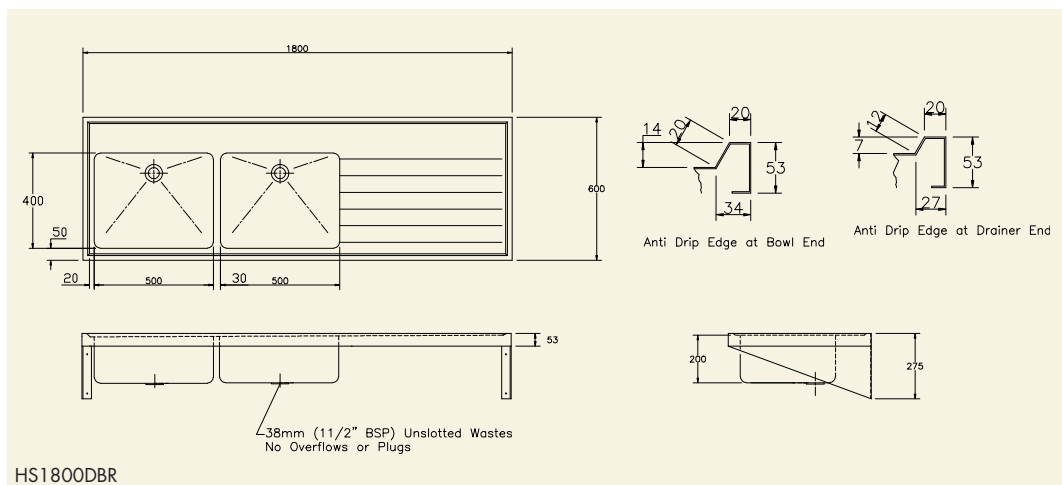
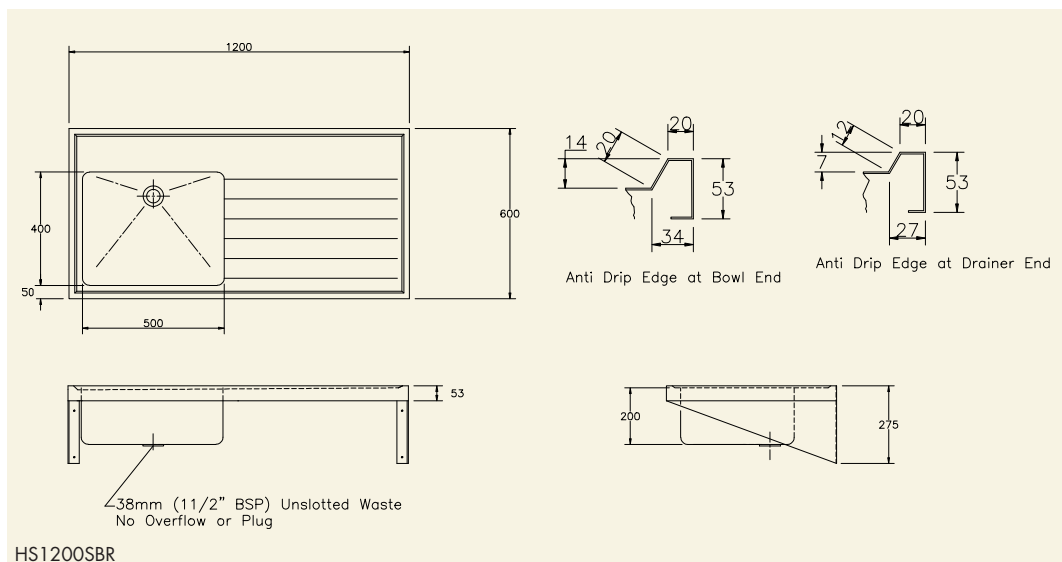
HOSPITAL SINKS

continued



- Options**
- Tap holes
 - Plug, chain and stay
 - 38mm waste with overflow
 - Front support legs
 - Special size units

1 Single Bowl Hospital Sink with Drainer



PRODUCT DESCRIPTION

- 1200x600mm hospital sink with single bowl and left hand drainer
- 1200x600mm hospital sink with single bowl and right hand drainer
- 1800x600mm hospital sink with single bowl and double drainers
- 1800x600mm hospital sink with double bowls and left hand drainer
- 1800x600mm hospital sink with double bowls and right hand drainer

ORDERING CODE

- HS1200SBL
- HS1200SBR
- HS1800SBD
- HS1800DBL
- HS1800DBR

hospital